

OPERATOR'S MANUAL



MATCH

FP

FREE PISTOL Cal. .22 I. R.

Operator's manual

for Free pistol

Steyr Match FP

From may 1995, manufacturing date

Before unpacking and using the rifle, be sure to read and mind this operator's manual.

It will familiarize the user of the weapon with its function and handling and warn against possible dangers that could be caused by misoperation and lead to accidents.



1. edition

Printed by

Vereinsdruckerei Steyr, Autriche

for

Steyr Mannlicher Aktiengesellschaft

P.O.B. 1000, A-4400 Steyr

Dear Sporting Friend,
By purchasing the

Steyr Match FP

free pistol from the Steyr Mannlicher AG, you now own a sporting pistol that will meet the highest demands. This pistol has been developed in accordance with the latest requirements of the UIT shooting sports. Maximum accuracy, top quality and a long service life were the parameters to met by our engineers for this new pistol. Our quality assurance program (since July of 1994 we have been certified to ISO 9001 by DET NORSKE VERITAS) guarantees that you have acquired a truly excellent product.



Steyr Mannlicher Aktiengesellschaft

P.O. Box 100, 4100 Steyr, Austria

Table of contents

1	Important instructions for handling of firearms	4
2	Particular features and advantages	5
3	Loading, cocking and shooting	6
4	Unloading	7
5	Adjusting the Sights	7
6	Adjusting the Trigger	9
7	Adjusting the Grip	10
8	Cleaning and care	11
9	Accessoires	12
10	Technical Data	12
11	Guarantee Clauses	13
12	Service - Exploded View and Part numbers	15

Important rules for the handling of weapons

Although it can be assumed that in general the shooters are aware of the following principles they should be stated again for regularity's sake.

All firearms are dangerous objects storage and use of which demand utmost caution.

Always treat an unloaded weapon as if it was loaded.

Never put your finger on the trigger, except for actually firing a shot.

Never point the weapon inadvertently at any bystanders.

Only the perfect condition of the weapon guarantees safety.

Improper handling and lack of care might prejudice operation and safety of the weapon. Tampering with its mechanism as well as any damages and alterations forcibly caused by third persons shall relieve the manufacturer from any guarantee obligations.

Jobs on the weapon should be done by authorized specialists only.

Store on the weapon at any time in such a way that they are not accessible to unauthorized persons, in particular not to children or juveniles. Keep ammunition always separated from the weapon.

In order to avoid any damages to the weapon during transport the weapon should always be transported in its original packing or in a weapon case, as available on the market, respectively.

2 Particular features and advantages

- Trigger
 - The trigger pull weight is infinitely adjustable from 15-200 grams
 - The trigger blade is adjustable for length of pull.
- A Signal pin indicates that the striker is cocked
- Extremely fast lock time
- "Free Floating" forged precision barrel
- Micrometer sights:
 - Elevation and Windage adjustable
 - Sight radius adjustable from 370 to 400 mm
 - Rear sight and front sight pivotable for cant
- Anatomically shaped wrap-around adjustable grip. Grip angle is adjustable and can be moved left and right.
- Low weight
- Excellent handling characteristics due to low barrel position, good sight line and Steyr compensator for stabilization of recoil.

Note: The terms "right" and "left" as used in this manual always refer to the pistol as viewed in the firing direction.

3 Loading, cocking and firing

Loading:

Place your hand in the pistol grip and adjust it to the most comfortable position. With the other hand open the loading lever and push it completely forward (Fig.1). The bolt body will slide downward and exposes the chamber. Place the cartridge in the chamber and press home with your thumb (Fig. 2). Close the loading lever.

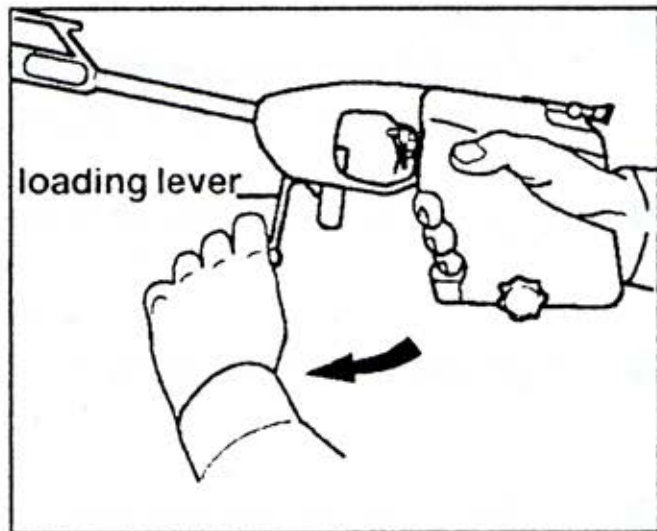


Fig.1

Cocking:

Lift up on the cocking lever, pulling it backward to the stop and then return to the rest position (Fig. 3). When doing this, the engagement of the striker is easily noticed.

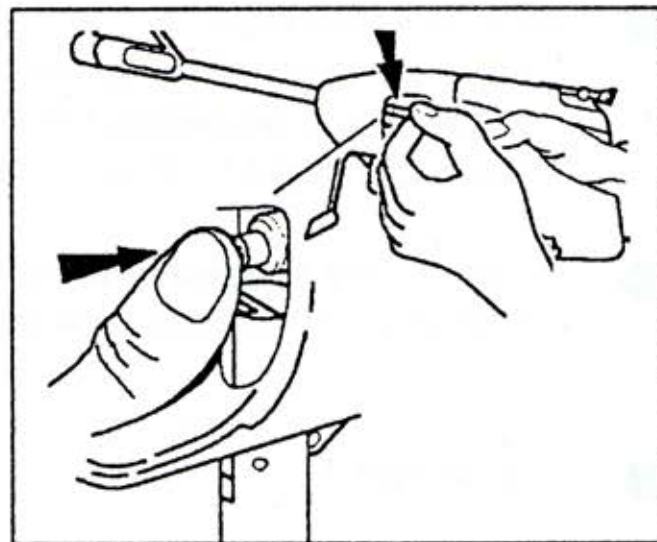


Fig.2

Now the gun is loaded, cocked and ready for firing! The signal pin protrudes from the top of the frame indicating the pistol is cocked (see Fig. 9).

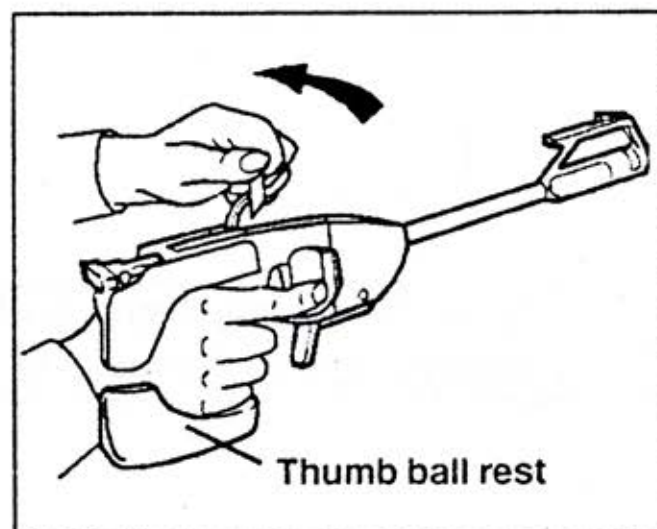
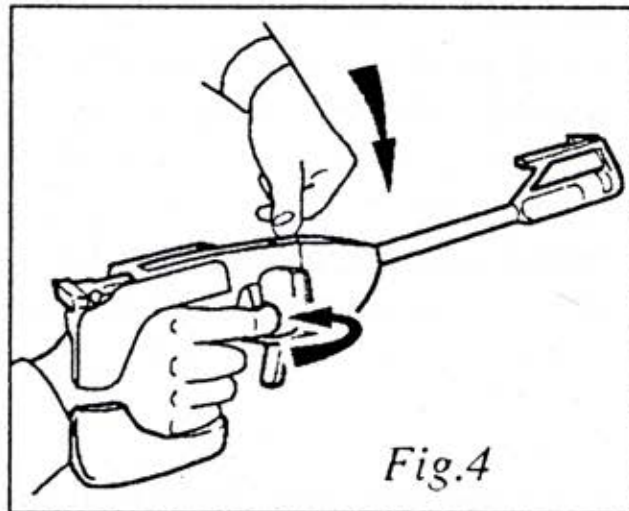


Fig.3

Before pulling the trigger, always make sure that the muzzle is pointing in safe direction! Never aim in a direction that might cause damage or endanger life! When firing, use ear protectors as well as safety shooting glasses!

4 Unloading

The empty cartridge is partially ejected by opening the loading lever. The empty cartridge case can be removed by hand. If you want to unload a live cartridge, you can do so the same way. However, you should uncock the pistol after removing the live round. Do this by pulling up on the cocking lever to the stop, then pull through on the trigger blade and hold it back while returning the lever to rest position (Fig.4). Now the pistol is both unloaded and uncocked and is safe to either load again or put down.



5 Adjusting the sight

If the shot group or impact point is too HIGH: Turn the elevation adjustment screw in the direction of the arrow pointing to "H" (Fig.5).

If the shot group or impact point is too LOW: Turn the elevation adjustment screw in the direction of the arrow pointing to "T".

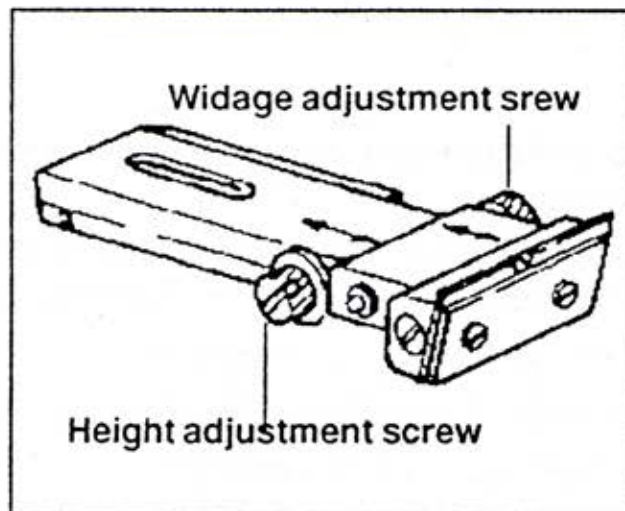


Fig.5

One click of the elevation adjustment screw changes the point of impact 6 mm (1/4") at 50 meters.

If the impact point is to the RIGHT: Turn the windage screw in the direction "R".

If the impact point is to the LEFT: Turn the windage screw in the direction "L".

Also note that the rear sight can be canted to either side. Just loosen the locking screw (Fig.6), rotate the sight and retighten the screw. In the same way you can cant or tilt the front sight holder (the muzzle brake) by loosening the two threaded pins, tilting to the corresponding position of the rear sight and retightening the screws (Fig.6a).

5.1 Changing the sight radius

By undoing the sight retaining screw, the front sight can be moved back and forth into any of 4 different positions (Fig.7). This enables you to shorten or lengthen the sight radius which will also affect the apparent light gap between the front and rear sights. Retighten the screw when you have the front sight in the desired position.

5.2 Adjusting the rearsight opening

The rearsight opening is adjustable between 0 and 5 mm. Turning either screw ② clockwise or screw ① counterclockwise enlarges the opening. The reverse closes the opening. The depth of the rear sight opening and be adjusted from 1,8 to 2,6 mm by loosening screws ③ and shifting the cover plate up or down (Fig.8). Retighten the screws ③

Locking screw for rotate the sight

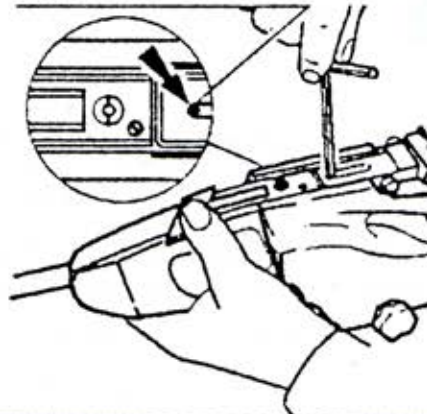


Fig.6

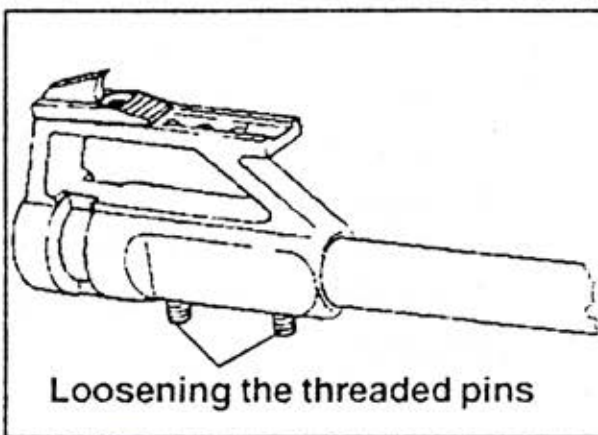


Fig.6a

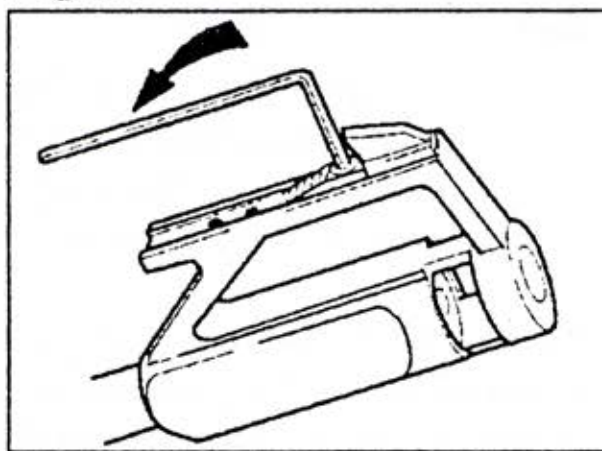


Fig.7

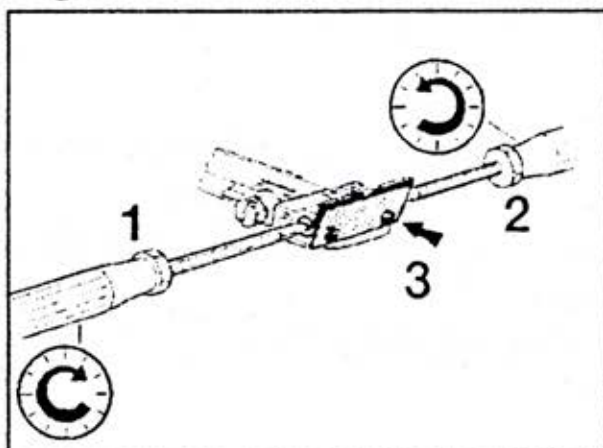


Fig.8

6 Adjusting the trigger

The trigger adjustments have been set by factory to give a uniform single stage trigger pull. Individual adjustments of the trigger, important for optimum competition results, are possible, however.

CAUTION:

Before making ANY trigger adjustments, it is absolutely necessary that you read the operator's manual!

Adjusting the weight of pull

The trigger weight is adjustable from 15 to 200 grams. Turning the adjusting screw **COUNTERCLOCKWISE** = **HIGHER** trigger pull weight.

Turning the screw **CLOCKWISE** = **LOWER** trigger pull weight (Fig.9).

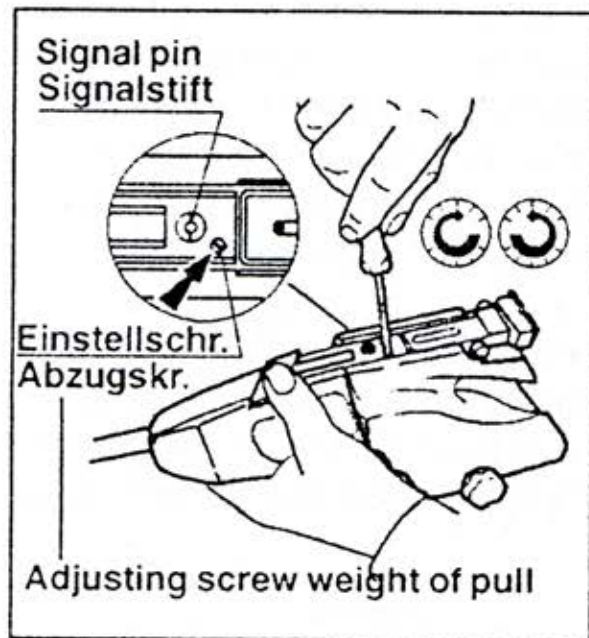


Fig.9

Adjusting the trigger blade (Fig.10)

By loosening screw "A", the trigger blade may be moved up and down and rotated around the shaft. Retighten screw "A" after adjusting.

By loosening screw "B", the trigger blade holder, including the blade can be moved fore and aft and tilted laterally. Retighten "B" after adjusting.

Screw "C" is already set and should not be changed!

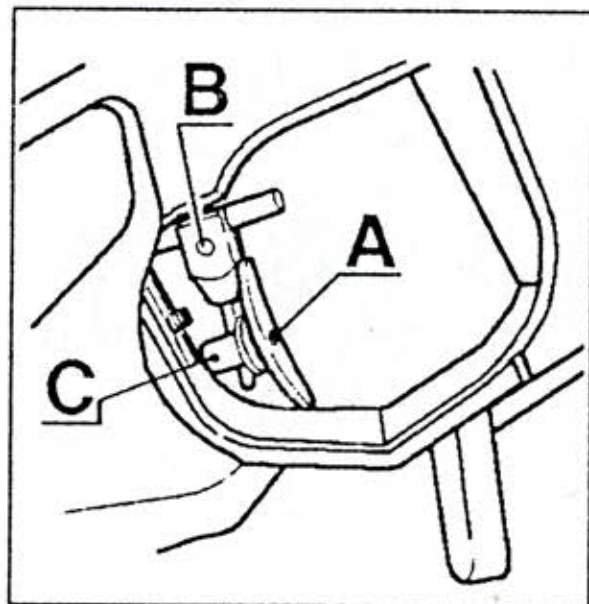


Fig.10

7 Adjusting the Grip

The grip is adjustable for angle of rake and also can be shifted some degrees left and right so that the pistol lines up correctly for the individual shooter. To make these adjustments the grip must be removed by loosening the grip retaining screw at the bottom of the grip (Fig.11).

The adjustments is made using the hex socket head screws on the bottom and rear sides of the frame (use the 2 mm hex wrench on these screws). See Figure 12. To increase the rake angle (tilt the barrel up), turn out the two screws at the front of the base of the frame. To move the muzzle of the pistol to the right, turn out screw on the LEFT rear side of the frame.

To move the adjustable palm shelf up and down, loosen the star knob at the left of the grip, shift the shelf and then retighten.

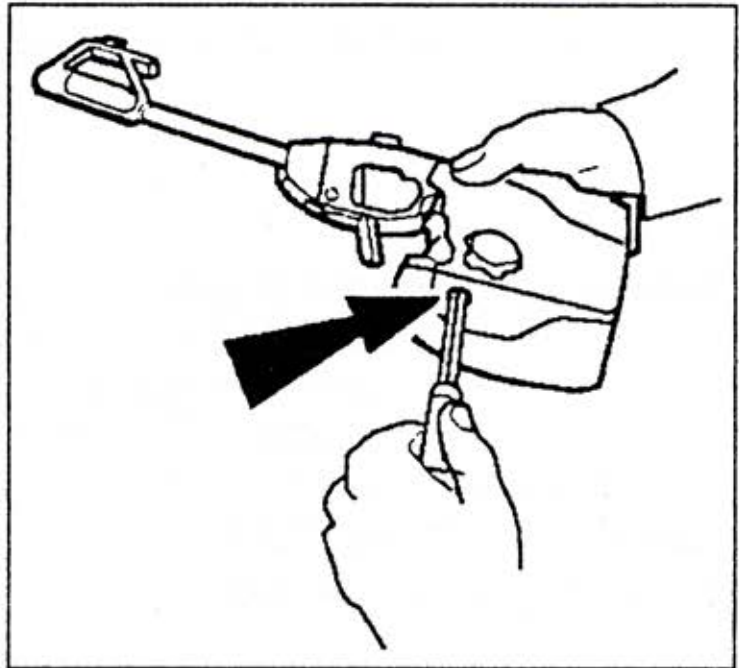


Fig.11

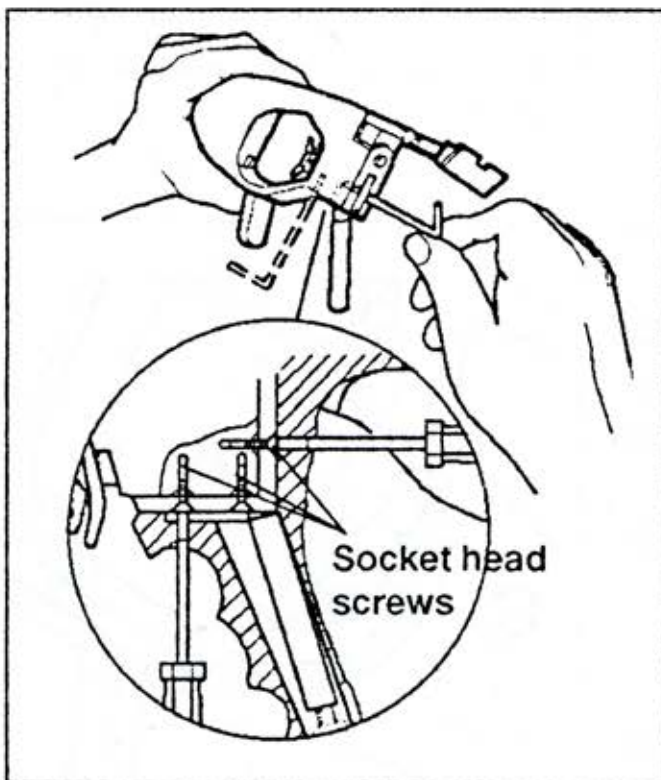
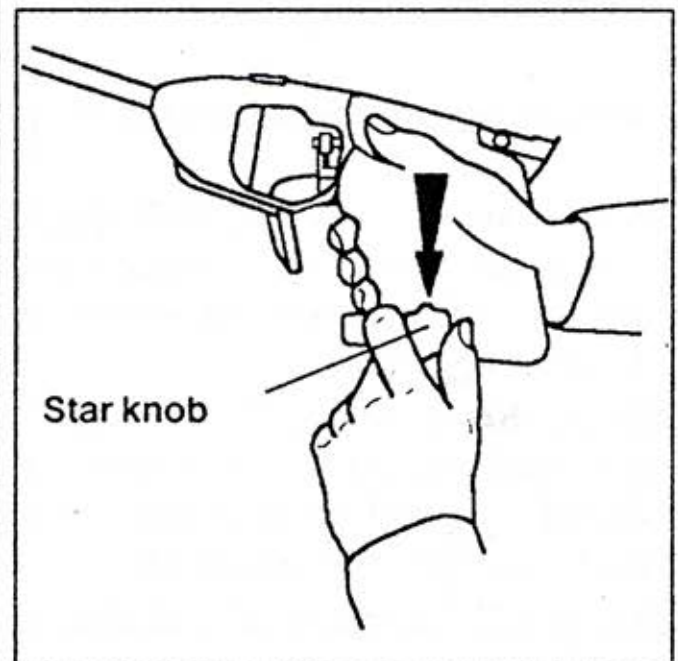


Fig.12



Star knob

Fig.13

8 Cleaning and care

In normal shooting very little maintenance is required. The design does not require lubrication. To clean the pistol, remove the vertical block by pressing out the cross pin (Fig.14) and draw the loading lever/block assembly downward out of the frame.

To clean the chamber and barrel, insert the cleaning rod - without any brush or jag - into the barrel from the muzzle. Then, depending on the degree of cleaning required, screw on either a cleaning brush or the patch holder from the cleaning kit (Fig.15). Always pull the patch or brush from the chamber to the muzzle. For the next pass, unscrew the fitting, insert the rod, rescrew in the fitting, etc.

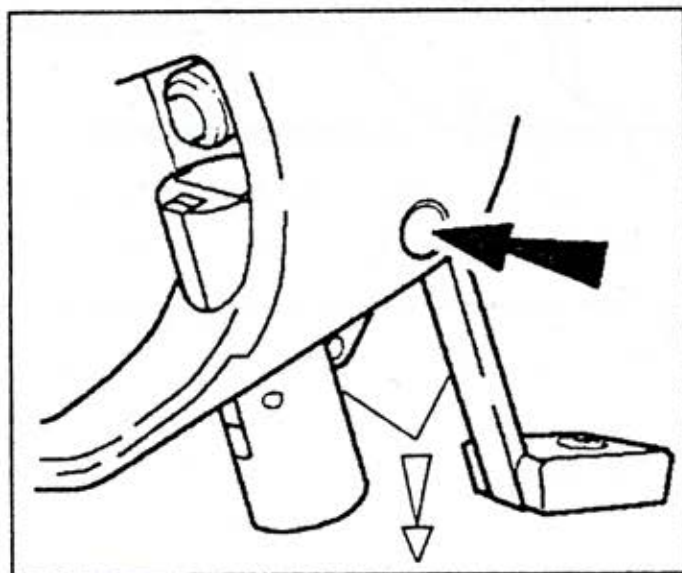


Fig.14



Fig.15

After long periods of shooting, lead deposits may build up at the face of the compensator cone. To remove these, loosen the set screw that secures the cone, remove the cone and either scrape away the deposits or soak the cone overnight in bore solvent which allows the deposits to be removed more easily.

In addition, it is recommended that you wipe off the pistol after each use with a soft cloth and a good gun oil.

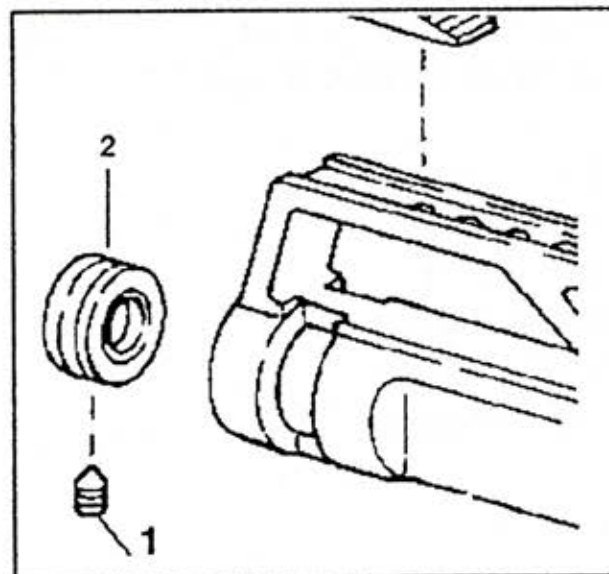


Fig.16

9 Accessories

The pistol and its accessories are packed into a handy transport case which also has spaces for ammunition. With each pistol is a set of tools, a cleaning kit and an operator's manual.

At extra cost, a balancing rod and weights are available.

The balancing rod is fixed with two screws at the front of the frame (Fig.17). Front sights of different widths (3,0; 4,0; 4,5 and 5 mm) are also available.

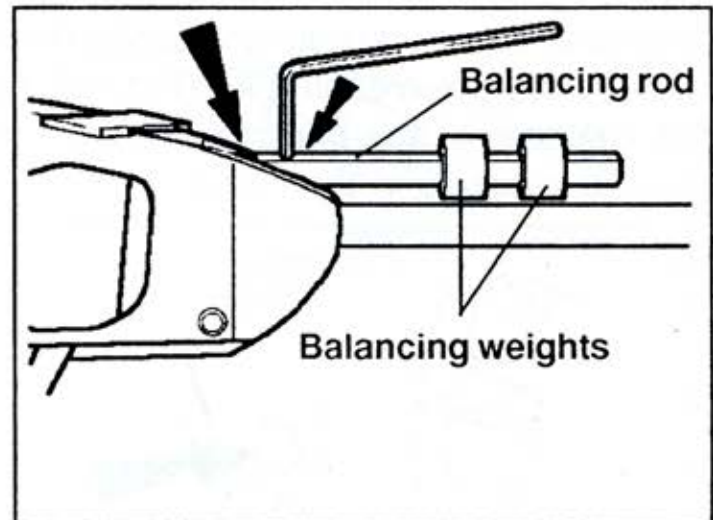


Fig.17

10 Technical Data

The Steyr FP is a single shot pistol with a vertical block action and single stage set-trigger

Caliber22 LR	
Total Length	465 mm	18,3 inches
Total Height	145 mm	5,7 inches
Total Width	85 mm	3,3 inches
Barrel Length	235 mm	9,3 inches
Sight radius	370-400 mm ...	14,6-15,7 inches
Total Weight	1.230 grams	2,7 pounds

11 Garantie clauses

If within a period of **1 year** from time of sale defects are discovered with this rifle which are due to defective material or improper workmanship, we will repair it free of charge (with the exception of stock fractures).

This Steyr Mannlicher guarantee may be claimed by the first owner only and under the following conditions:

It is the option of Steyr Mannlicher as to whether to repair or replace the rifle or components. Costs of material and labor are included, but no claims of recompense for loss of use will be accepted. If during the guarantee period defects in material, function or workmanship appear on the rifle, claims must be submitted without delay, at the latest within one month of occurrence.

PLEASE RETURN THE COMPLETED STEYR MANNLICHER GUARANTEE CLAIM CARD (attachment 1 to the Operator's Manual) WITHIN 10 DAYS OF PURCHASE.

In the case of a claim against the guarantee, the rifle has to be submitted to us together with the completed Steyr Mannlicher Guarantee Card (attachment 2 to the Operator's Manual). Authorized Steyr Mannlicher dealers and the Steyr Mannlicher Aktiengesellschaft are entitled to accept guarantee claims.

The repaired or replaced goods or components are returned, if not agreed otherwise, at the seller's account and risk.

NO GUARANTEE CLAIMS WILL BE ACCEPTED BY THE STEYR MANNLICHER AKTIENGESELLSCHAFT:

- a.** If the rifle has been destroyed or damaged by force majeure or the environment (Acts of God).
- b.** In the case of damage that has been caused by improper treatment, handling or poor care.
- c.** If the rifle has been repaired, machined or altered by any other than an authorized Steyr Mannlicher repair shop or technician.
- d.** For consequential damages or poor shooting performance being the result of an improper aiming device mounted on the rifle instead of the original sight in as much as the mounting was not done by an authorized Steyr Mannlicher repairshop or which is due to any such aiming device itself.

The cost of shipping and insurance and/or the risk of loss or damage on the way to and from the agency accepting the guarantee claims and returning the repaired good shall be borne by the customer.

The above provisions define the legal relationship with the customer and Steyr Mannlicher. Any further claims, in particular damages and losses of any kind whatsoever, resulting from the rifle or its use are excluded. Guarantee claims against authorized Steyr Mannlicher dealer (as seller) are excluded up to and including the extent that services are rendered by us under this guarantee.

The Steyr Mannlicher Shooting Performance Guarantee

Our barrels are manufactured in accordance with the latest state of the art, using high-grade barrel steels. Our rifles distinguish themselves by outstanding shooting performance. However, the accuracy of a rifle also depends on many other factors. The most important factor by far is the ammunition. Not every barrel shoots every pellet equally well – there may be considerable differences in performance.

Even pellets of the same make may show a different shooting performance from production lot to production lot and from rifle to rifle.

With optimally selected ammunition we guarantee excellent performance from our rifles. Any complaints as to shooting performance must be submitted in writing within twenty (20) workdays after the purchase. Should the complaint be unjustified, we reserve the right to charge for the costs of examination of shooting performance.

12 Service - Exploded View and Part numbers/nomenclatures

Your rifle has been tested by us with great care before delivery in accordance with our internal quality requirements which meet the standards of ISO 9001. Should it be necessary to replace any of the rifle's parts or to repair it, such jobs must be done by authorized specialists only. Please contact one of our authorized Steyr Mannlicher dealers.

NOTE:

INSTALL GENUINE STEYR SPARE PARTS ONLY! (See exploded drawing for parts and numbers.)

Fig.no. Description

1	Barrel
2	Muzzle brake
3	Compensator cone
4	Extractor
5	Foresight
6	Countersunk screw
7	Threaded pin M 4x5
8	Threaded pin M 5x5
9	Housing
10	Cocking lever
11	Cocking lever grip
12	Hammer
13	Sight clamp piece
14	Spring rod
15	Spring tensioning piece
16	Signal pin
17	Signal screw
18	Spring
19	Sight plate
20	Pressure spring
21	Spring
22	Screw, locking lever
23	Housing cover
24	Retainer
25	Draw spring
26	Countersunk screw
27	Safety
28	Spring
29	Cylindrical pin 2 m 6x18
30	Cylindrical pin 3 m 6x18
31	Countersunk screw M 3x4
32	Cylindrical pin 3 m 6x14
33	Locking disk 2,3
34	Threaded pin 5x6
35	Torsion spring
36	Sighting assembly
38	Cylindrical pin 2 m 6x24
39	Trigger support
40	Trigger lever
41	Spring
42	Spring
43	Trigger sear
44	Trigger blade axle

Fig.no. Description

45	Trigger blade
46	Trigger shaft
47	Countersunk screw M 3x8
48	Threaded pin M 3x5
49	Threaded pin M 3x3
50	Plate spring
51	Thrust washer 2,5 mm
52	Thrust washer 1 mm
53	Safety
54	Trigger clamping piece
55	Threaded pin M 3x0,35
56	Bolt body
57	Hammer lever
58	Loading lever
59	Joint
60	Loading lever grip
61	Ejector lever
62	Spring bolt
63	Cylindrical pin 2 m 6x10
64	Cylindrical pin 3 m 6x6
65	Cylindrical pin 2 m 6x6
66	Spring
67	Countersunk screw M 4x10
68	Threaded pin M 3x5
69	Grip
70	Thumb ball rest
71	Support plate
72	Countersunk screw 3,5x15
73	Star grip
74	Cylindrical screw M 6x35
75	Washer 5,3
76	Rubber ring 4x1,5
77	Washer 6,4
78	Spring pressure piece
79	Shaft
80	Cylindrical screw
81	Hammer screw
82	Draw spring

Steyr Mannlicher Aktiengesellschaft

P.O Box 1000
Mannlicherstraße 1
A-4400 Steyr / Austria
Tel. 0043 / 7252 / 896-0
Fax 0043 / 7252 / 68620

