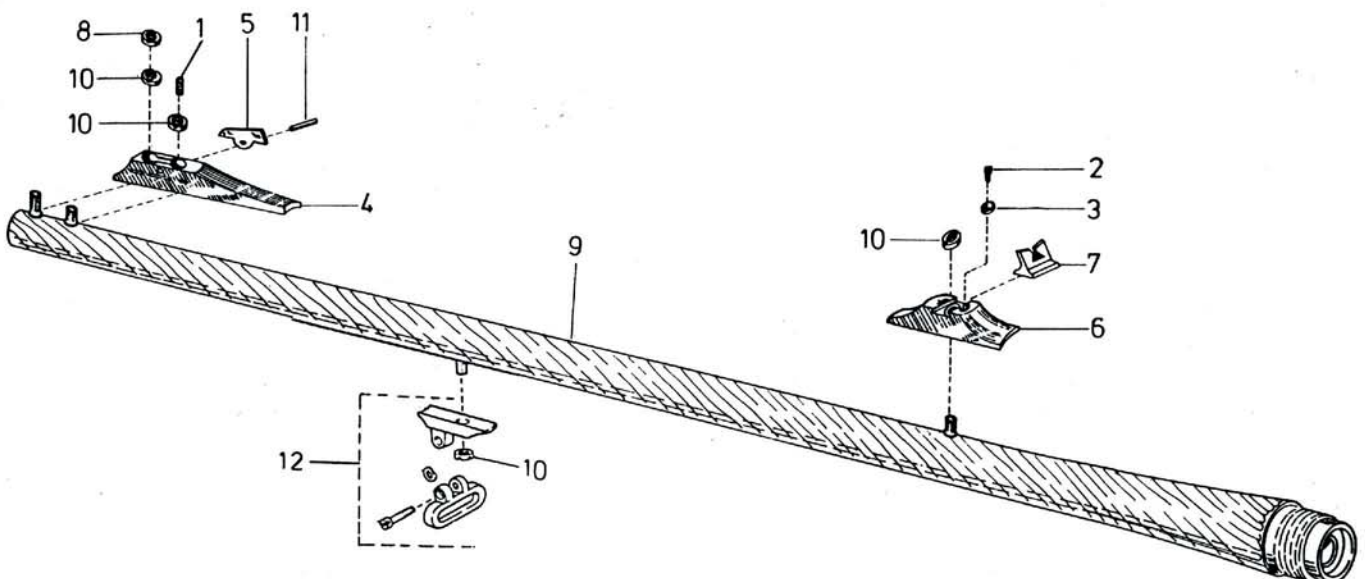


SPARE-PARTS**Model: Steyr-Mannlicher Model M****Type: 24****Subassembly: Barrel 7x64 600**

Draw No.	Nomenclature	Price cat.	Part-Number	Remark
1	Spring	2	1 19 030024	
2	Rear sight screw	2	1 22 010002	
3	Clamp ring	4	1 22 010003	
4	Ramp, front sight	44	1 24 010005	
5	Front sight	7	1 24 010006	
6	Rear sight base	46	1 24 010008	
7	Wide open V-type rear sight	40	1 24 010010	
8	Nut	2	1 24 010014	
*9	Barrel standard weight 600 7x64	84	1 24 010040	Proof firing necessary
10	DIN 00546 Nut M 3 5S	1	190003888304	
11	DIN 00007 Front sight pin 2 M 6 x 8	1	190003901058	
12	Sling swivel assembled	35	1 3200010520	
*	Further calibers:			
	Barrel standard weight 600 6,5x57	84	1 24 010075	Proof firing necessary
	Barrel standard weight 600 .270 Win.	84	1 24 010050	Proof firing necessary
	Barrel standard weight 600 .30-06	84	1 24 010060	Proof firing necessary
	Barrel standard weight 600 9,3 x 62	84	1 24 010025	Proof firing necessary
	Change of barrel inclusive proof firing, blue finish, grouping	114		

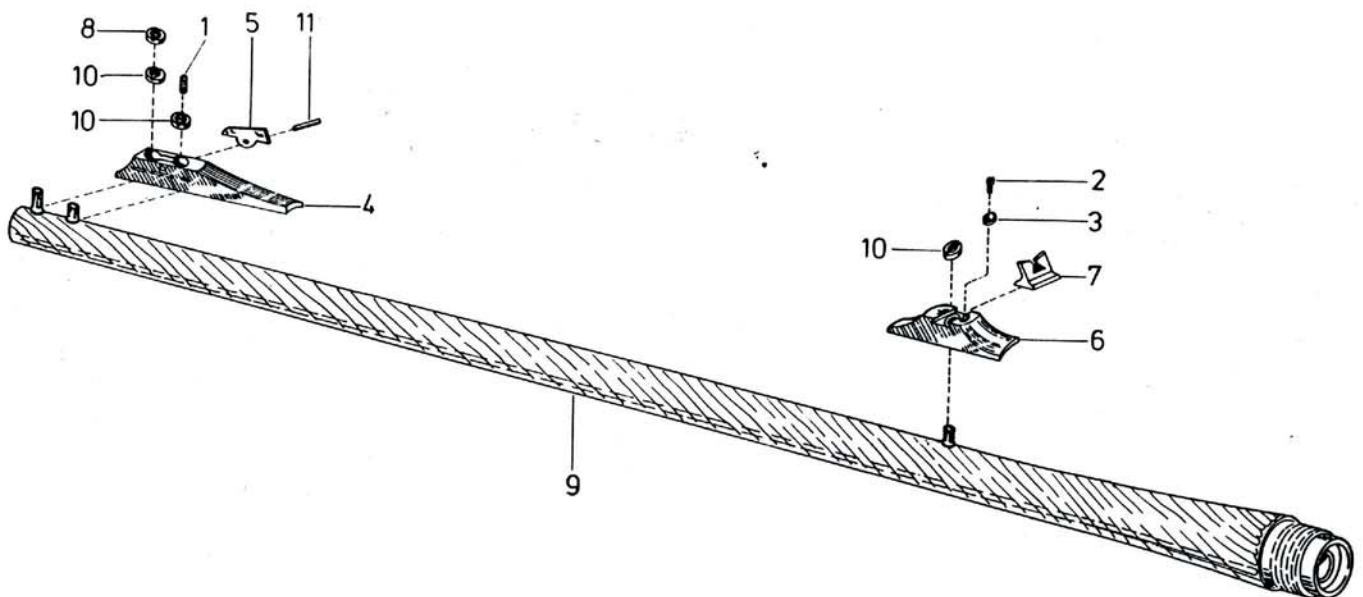


In order to avoid errors and incorrect deliveries, please indicate the needed part-number as well as the production number, the price gradation and the caliber of your rifle (pistol).

Subject to technical modifications and changing the price category

SPARE-PARTS**Model: Steyr-Mannlicher Model M****Type: 24****Subassembly: Barrel 7x64 508**

Draw No.	Nomenclature	Price cat.	Part-Number	Remark
1	Spring	2	1 19 030024	
2	Rear sight screw	2	1 22 010002	
3	Clamp ring	4	1 22 010003	
4	Ramp, front sight	44	1 22 010005	
5	Front sight	7	1 24 010006	
6	Rear sight base	46	1 22 010008	
7	Wide open V-type rear sight	40	1 24 010010	
8	Nut	2	1 24 010014	
*9	Barrel standard weight .508 7x64	84	1 24 010042	Proof firing necessary
10	DIN 00546 Nut M 3 5S	1	190003888304	
11	DIN 00007 Front sight pin 2 M 6 x 8	1	190003901058	
*	Further calibers:			
	Barrel standard weight 508 6,5x57	84	1 24 010078	Proof firing necessary
	Barrel standard weight 508 .270 Win.	84	1 24 010053	Proof firing necessary
	Barrel standard weight 508 .30-06	84	1 24 010063	Proof firing necessary
	Barrel standard weight 508 9,3x62	84	1 24 010026	Proof firing necessary
	Change of barrel inclusive proof firing, blue finish, grouping	114		

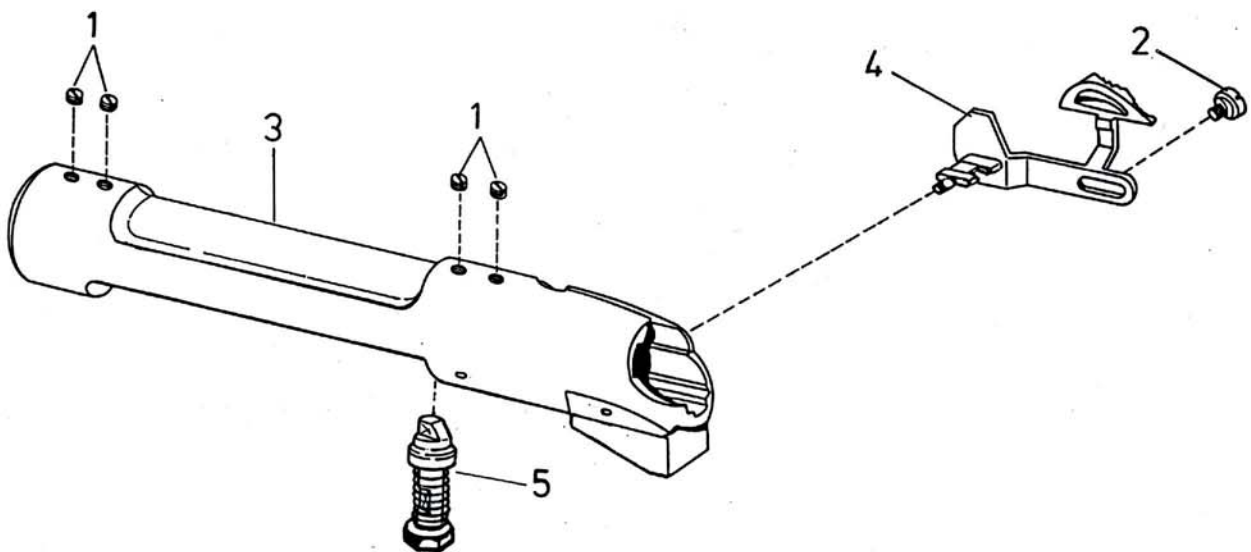


In order to avoid errors and incorrect deliveries, please indicate the needed part-number as well as the production number, the price gradation and the caliber of your rifle (pistol).

Subject to technical modifications and changing the price category

SPARE-PARTS**Model: Steyr-Mannlicher Model M****Type: 24****Subassembly: Receiver**

Draw No.	Nomenclature	Price cat.	Part-Number	Remark
1	Screw blanking	1	1 22 020003	
2	Retaining screw	11	1 22 020012	
*3	Receiver complete	90	1 24 020410	Proof firing necessary
4	Safety catch slide	34	1 24 030010	
5	Retaining bolt complete	30	1 3200020505	
*	Receiver complete left hand	93	1 24 020424	Proof firing necessary



In order to avoid errors and incorrect deliveries, please indicate the needed part-number as well as the production number, the price gradation and the caliber of your rifle (pistol).

Subject to technical modifications and changing the price category

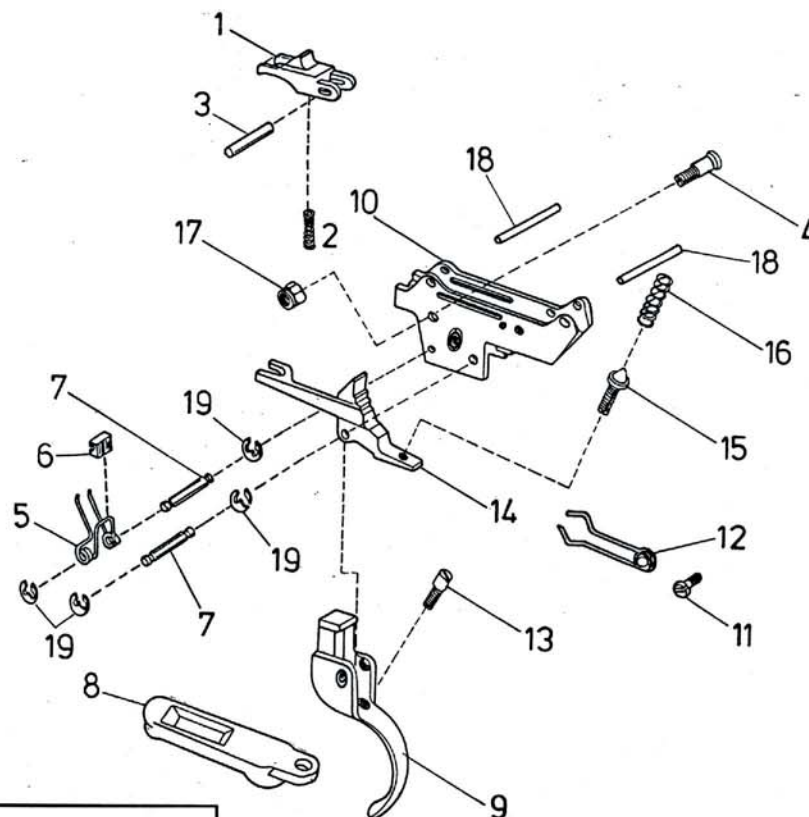
SPARE-PARTS

Model: Steyr-Mannlicher Model M

Type: 24

Subassembly: Single trigger

Draw No.	Nomenclature	Price cat.	Part-Number	Remark
1	Sear	34	1 22 030006	
2	Spring	1	1 22 030007	
3	Pin	2	1 22 030008	
4	Eccentric screw	11	1 22 030010	
5	Trigger return spring	8	1 22 030014	
6	Sliding leaf	2	1 22 030016	
7	Pin	1	1 22 030021	
8	Insert single trigger	4	1 22 030025	
9	Single trigger	39	1 22 030050	
10	Trigger housing	37	1 22 030059	
11	Check screw	1	1 24 030008	
12	Safety spring	1	1 24 030009	
13	Setting screw	18	1 2900030029	
14	Lever, sear	38	1 2900030031	
15	Adjusting screw	13	1 2900030034	
16	Spring	2	1 1200010079	
17	DIN 00985 Hexagon nut M 3 6 ZN	1	190003888717	
18	DIN 00007 Cylindrical 2 M 6 x 14	1	190003901064	
19	DIN 06799 Lock washer 2,3	1	190003936606	
	Single trigger complete (except parts 8 and 18)	63	1 22 030559	



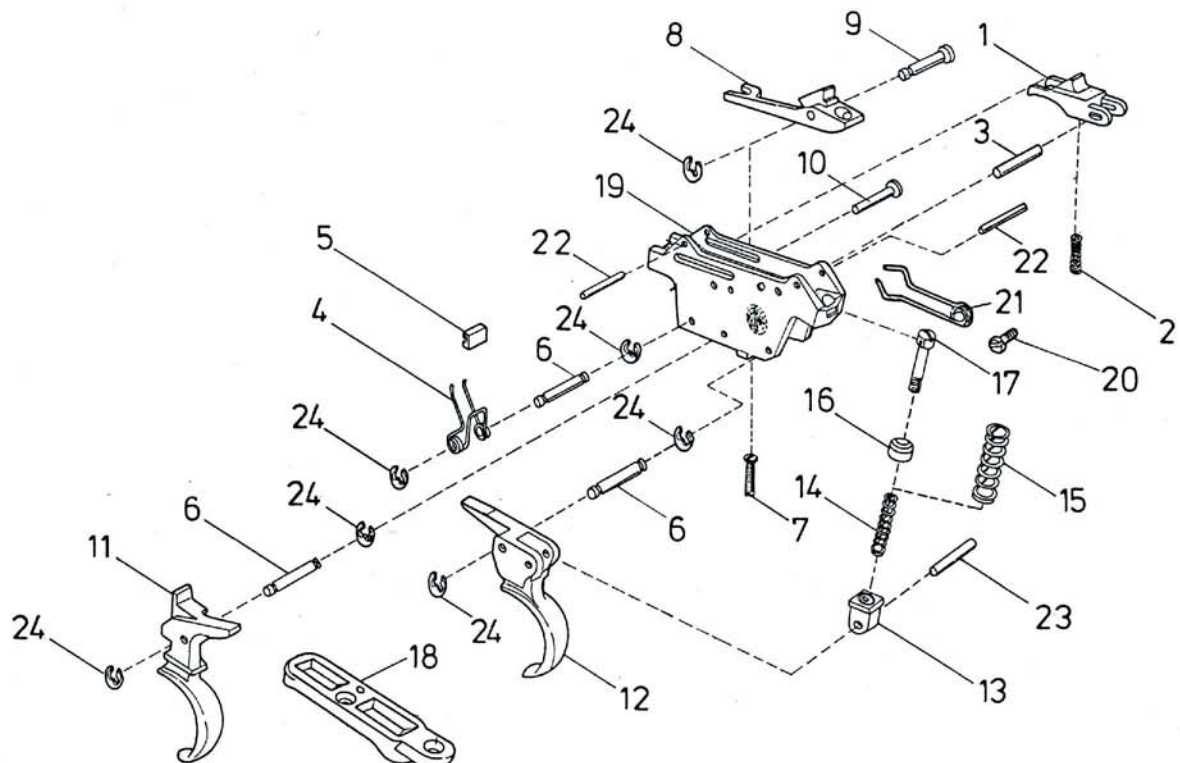
In order to avoid errors and incorrect deliveries, please indicate the needed part-number as well as the production number, the price gradation and the caliber of your rifle (pistol).

Subject to technical modifications and changing the price category

SPARE-PARTS

Model: Steyr-Mannlicher Model M**Type: 24****Subassembly: Double set trigger**

Draw No.	Nomenclature	Price cat.	Part-Number	Remark
1	Sear	34	1 22 030006	
2	Spring	2	1 22 030007	
3	Pin	2	1 22 030008	
4	Spiral spring	8	1 22 030013	
5	Sliding leaf	2	1 22 030016	
6	Pillow pin	2	1 22 030021	
7	Adjusting screw	9	1 22 030032	
8	Lever, sear	35	1 22 030034	
9	Pin for trigger sear	6	1 22 030035	
10	Trigger stop pin	6	1 22 030036	
11	Trigger	37	1 22 030038	
12	Set trigger	39	1 22 030039	
13	Link	3	1 22 030040	
14	Internal set trigger spring	2	1 22 030041	
15	External set trigger spring	1	1 22 030042	
16	Disc	8	1 22 030043	
17	Locking screw	9	1 22 030044	
18	Insert double set trigger	4	1 22 030046	
19	Trigger housing	39	1 22 030060	
20	Check screw	2	1 24 030008	
21	Safety spring	2	1 24 030009	
22	DIN 00007 Cylindrical 2 M 6 x 14	1	190003901064	
23	DIN 01481 Adapter sleeve 3 x 8	1	190003909603	
24	DIN 06799 Lock washer 2,3	1	190003936606	
	Double set trigger complete (except parts 18 and 22)	66	1 22 0300560	

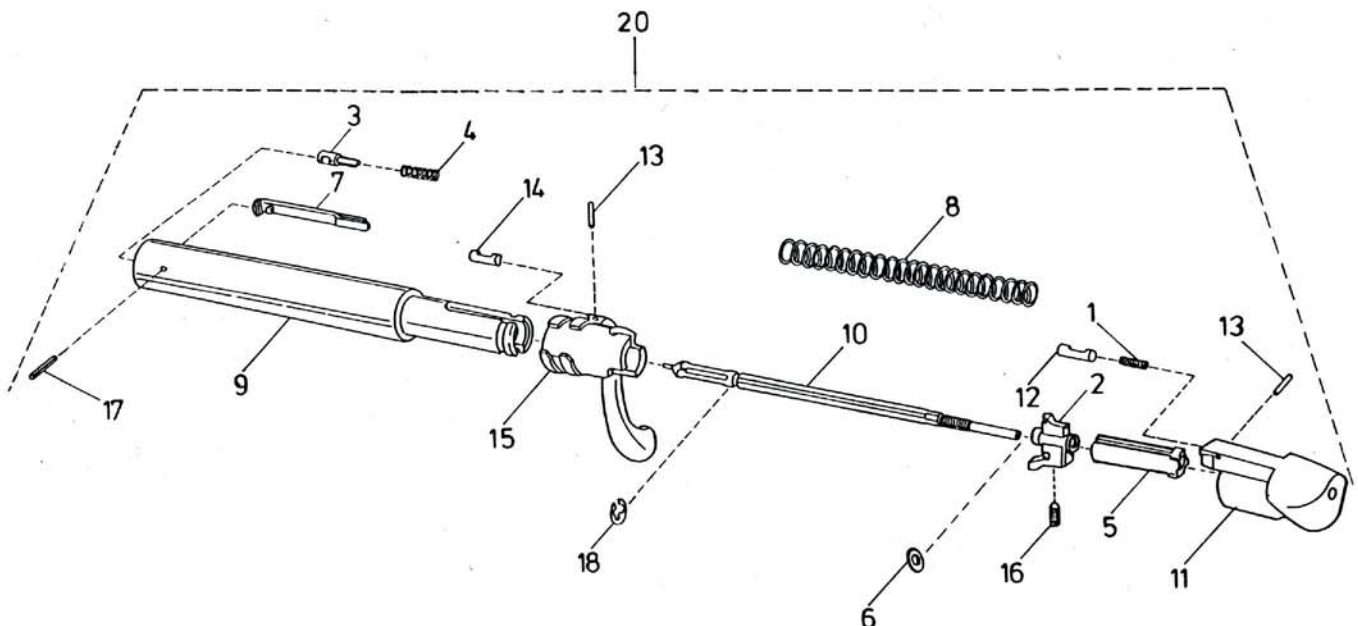


In order to avoid errors and incorrect deliveries, please indicate the needed part-number as well as the production number, the price gradation and the caliber of your rifle (pistol).

Subject to technical modifications and changing the price category

SPARE-PARTS**Model: Steyr-Mannlicher Model M****Type: 24****Subassembly: Bolt**

Draw No.	Nomenclature	Price cat.	Part-Number	Remark
1	Spring	1	1 22 020011	
+2	Firing pin lug	34	1 22 040006	
3	Ejector	12	1 22 040013	
4	Ejector spring	2	1 22 040014	
5	Support sleeve	40	1 22 040018	
6	Disc	3	1 22 040019	
7	Extractor	36	1 24 040006	
8	Main spring	6	1 24 040009	
x 9	Bolt	60	1 24 040014	Proof firing necessary
10	Firing pin	30	1 24 040015	
•11	Bolt cap	41	1 27 040006	
12	Lock bolt	10	1 27 040008	
13	Cylindrical	6	1 27 040010	
14	Pin	16	1 27 040019	
*15	Bolt handle	51	1 27 040025	Proof firing necessary
16	DIN 00514 Slotted set screw M 4 x 5	1	190003900059	
17	DIN 01481 Adapter sleeve 2 x 14	1	190003909679	
18	DIN 06799 Lock washer 4	1	190003936613	
*	Bolt handle left hand	55	1 24 040032	Proof firing necessary
•	Bolt cap left hand	45	1 24 040023	
x	Bolt left hand	67	1 24 040017	Proof firing necessary
+	Firing pin lug	35	1 24 040025	
20	Bolt assembled	90	1 24 040501	Proof firing necessary
	Bolt assembled cal. 6,5x55	90	1 24 040502	Proof firing necessary
	Bolt assembled Prof.	90	1 24 040503	Proof firing necessary
	Bolt assembled left hand	90	1 24 040504	Proof firing necessary
	Bolt assembled left hand cal. 6,5x55	90	1 24 040505	Proof firing necessary
	Bolt assembled cal. 7,5x55	90	1 24 040507	Proof firing necessary
	Bolt assembled left hand cal. 7,5x55 (exclusive costs for proof firing)	90	1 24 040506	Proof firing necessary



In order to avoid errors and incorrect deliveries, please indicate the needed part-number as well as the production number, the price gradation and the caliber of your rifle (pistol).

Subject to technical modifications and changing the price category

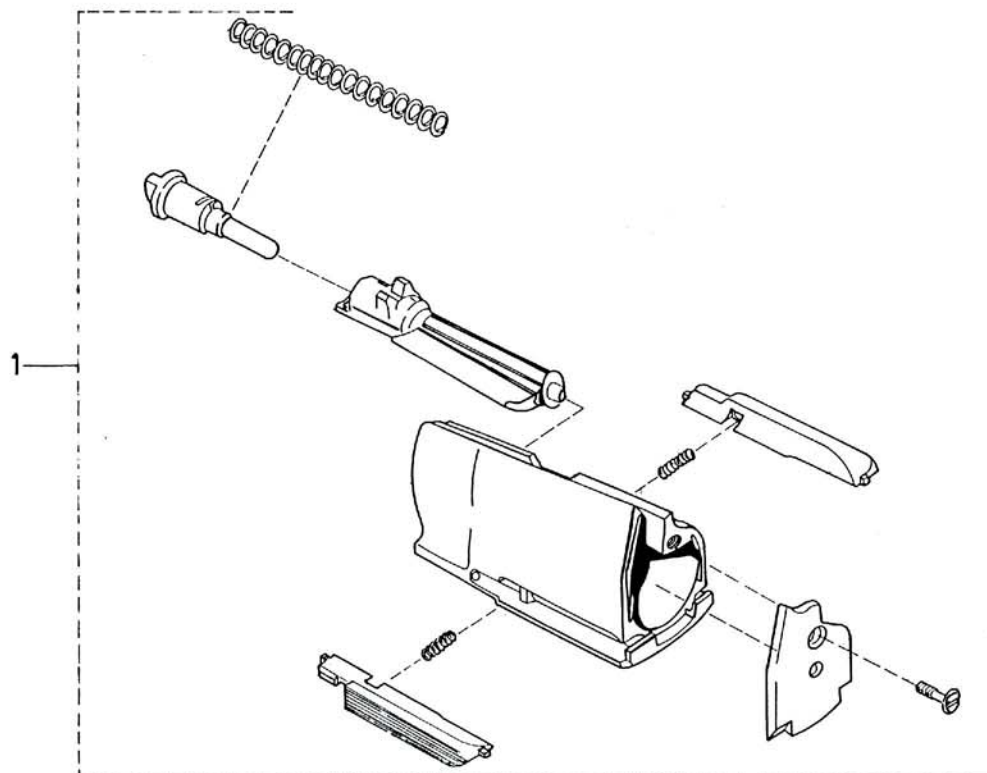
SPARE-PARTS

Model: Steyr-Mannlicher Model M

Type: 24

Subassembly: Magazine

Draw No.	Nomenclature	Price cat.	Part-Number	Remark
	Magazine follower spring		1 19 050002	
	Spring		1 22 020011	
	Fixing screw		1 22 050003	
	Magazine (rotor) axis pin		1 22 050007	
	Magazine catch right		1 24 050009	
	Magazine catch left		1 24 050010	
	Transport magazine wall		1 24 050013	
	Magazine box 6,5x57		1 24 050050	
	Magazine carrier complete		1 24 050445	
1	Magazine compl.:			
	Cal. 6,5x57	43	1 24 050505	
	Cal. .270 Win.	43	1 24 050504	
	Cal. 7x64	43	1 24 050502	
	Cal. .30-06	43	1 24 050503	
	Cal. 9,3x62	43	1 24 050507	



In order to avoid errors and incorrect deliveries, please indicate the needed part-number as well as the production number, the price gradation and the caliber of your rifle (pistol).

Subject to technical modifications and changing the price category

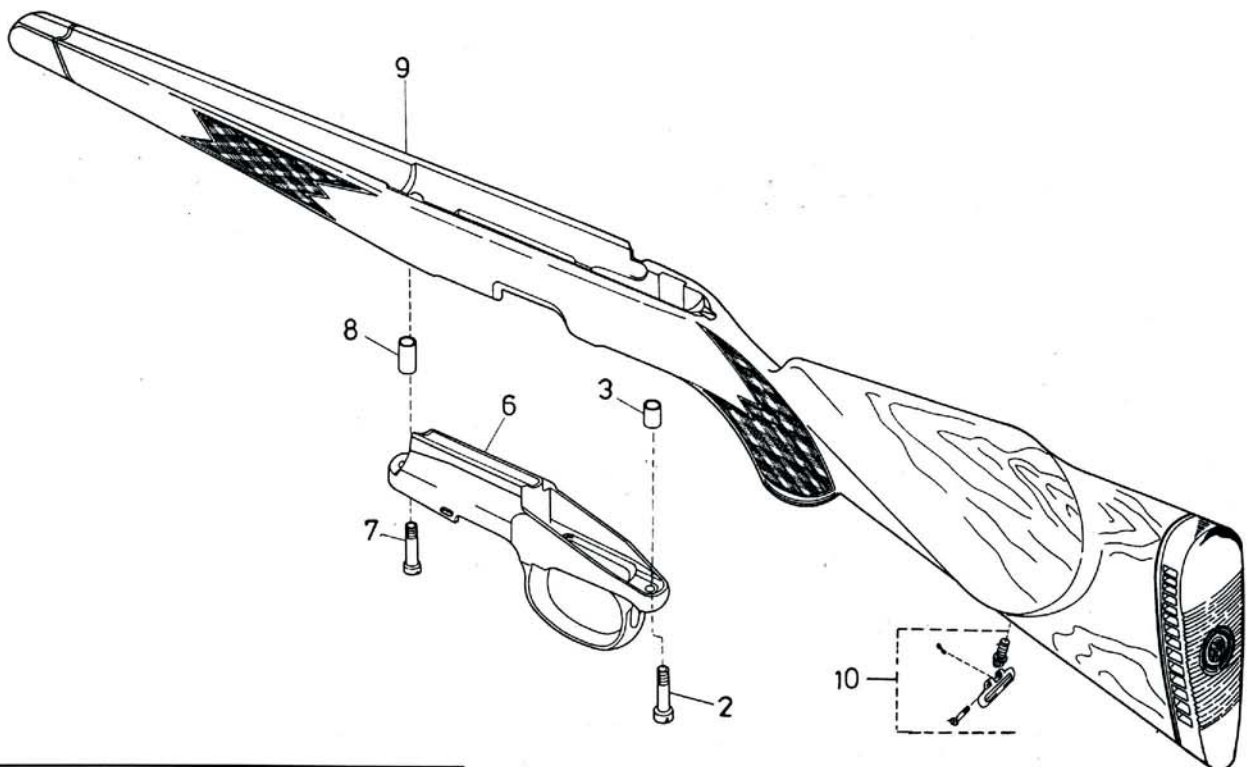
SPARE-PARTS

Model: Steyr-Mannlicher Model M

Type: 24

Subassembly: Half-stock

Draw No.	Nomenclature	Price cat.	Part-Number	Remark
	Swivel holder		1 19 060015	
2	Screw	14	1 22 060011	
3	Bushing rear	3	1 22 060006	
	Sling swivel		1 22 060015	
	Sling swivel, screw		1 22 060016	
6	Guard trigger	15	1 24 030025	
7	Screw	14	1 24 060007	
8	Bushing front	3	1 24 060008	
*9	Half stock complete	86	1 24 060410	
	DIN 00137 Spring washer A 3		190003932001	
10	Sling swivel assembled	25	1 22 060415	
*	Half stock complete left hand	96	1 24 060470	
	Half stock complete Professional	66	1 24 060451	
	Half stock complete left hand	94	1 24 060055	



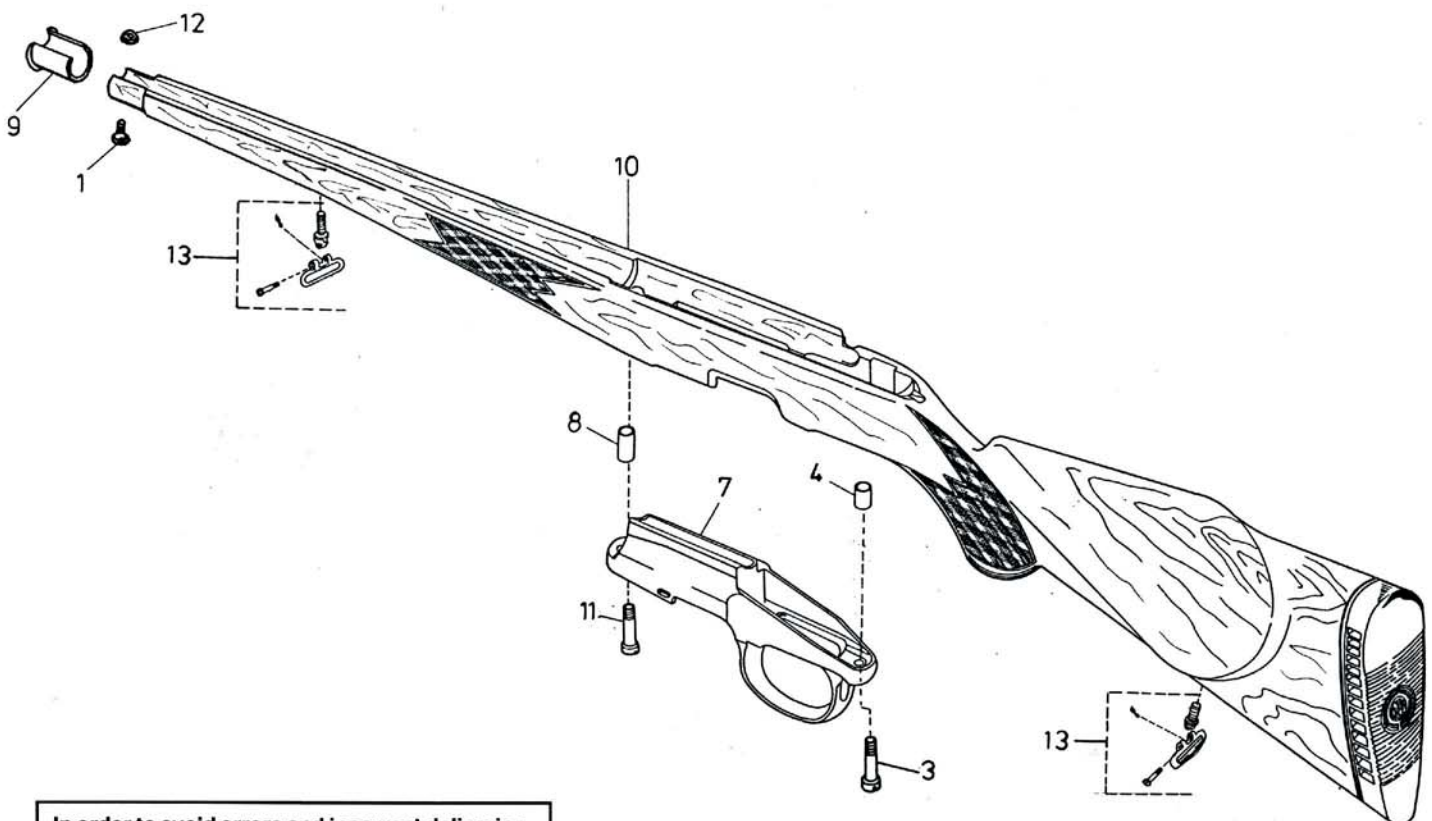
In order to avoid errors and incorrect deliveries, please indicate the needed part-number as well as the production number, the price gradation and the caliber of your rifle (pistol).

Subject to technical modifications and changing the price category

SPARE-PARTS

Model: Steyr-Mannlicher Model M
Type: 24
Subassembly: One-piece stock

Draw No.	Nomenclature	Price cat.	Part-Number	Remark
1	Screw	2	1 18 060007	
	Swivel holder		1 19 060015	
3	Screw	14	1 22 060011	
4	Bushing rear	3	1 22 060006	
	Sling swivel		1 22 060015	
6	Sling swivel, screw		1 22 060016	
7	Guard trigger	15	1 24 030025	
8	Bushing front	3	1 24 060008	
9	Muzzle cap	27	1 24 060028	
10	One-piece stock complete	91	1 24 060427	
11	Screw	14	1 27 060014	
12	DIN 00934 Hexagon nut M 3 M 6 ZN	1	190003871207	
	DIN 00137 Spring washer A 3		190003932001	
13	Sling swivel assembled	25	1 22 060415	
*	One-piece stock complete	98	1 24 060471	
	One-piece stock complete left hand	99	1 24 060065	



In order to avoid errors and incorrect deliveries, please indicate the needed part-number as well as the production number, the price gradation and the caliber of your rifle (pistol).

**Subject to technical modifications
and changing the price category**

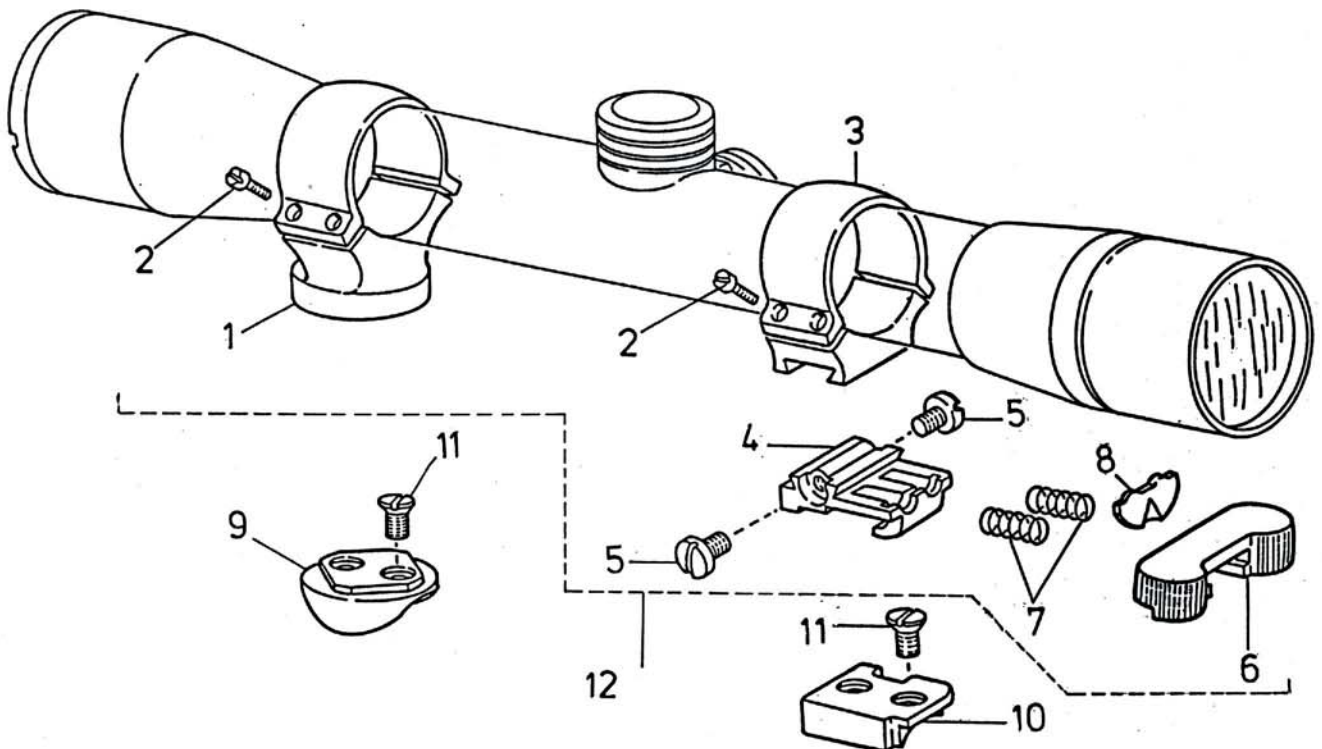
SPARE-PARTS

Model: Steyr-Mannlicher Model M

Type: 24

Subassembly: Scope mount ring europe 26 Ø

Draw No.	Nomenclature	Price cat.	Part-Number	Remark
1	Front scope ring	48	1 1600070002	
2	Screw, scope mount ring	3	1 1600070003	
3	Rear scope ring	46	1 1600070009	
4	Dovetail, windage adjusting	45	1 22 070010	
5	Dovetail screw, windage adjusting	5	1 22 070012	
6	Rear mount slide	32	1 3200070004	
7	Slide spring, rear mount	2	1 22 070015	
8	Windage slide spring	3	1 22 070016	
9	Front base, scope mount	41	1 24 070001	
10	Rear base, scope mount	34	1 24 070002	
11	Screw, scope mount base	4	1 24 070003	
12	Scope mount upper part 26 Ø	79	1 3200070409	

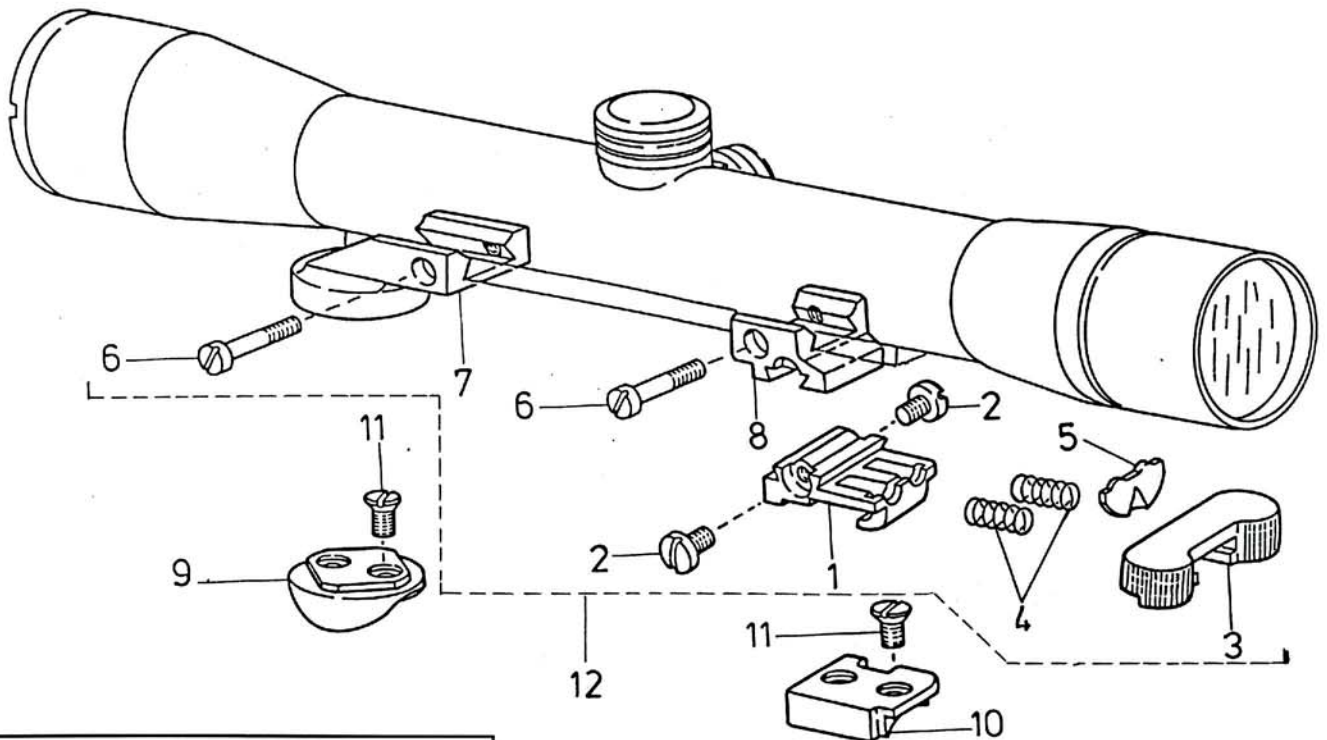


In order to avoid errors and incorrect deliveries, please indicate the needed part-number as well as the production number, the price gradation and the caliber of your rifle (pistol).

Subject to technical modifications and changing the price category

SPARE-PARTS**Model: Steyr-Mannlicher Model M****Type: 24****Subassembly: Scope mount rail**

Draw No.	Nomenclature	Price cat.	Part-Number	Remark
1	Dovetail, windage adjusting	45	1 22 070010	
2	Dovetail screw, windage adjusting	5	1 22 070012	
3	Rear mount slide	32	1 3200070014	
4	Slide spring, rear mount	2	1 22 070015	
5	Windage slide spring	3	1 22 070016	
6	Screw near dovetail base	13	1 22 070026	
7	Base, front mounting rail	45	1 22 070028	
8	Base, rear mounting rail	45	1 22 070029	
9	Front base, scope mount	42	1 24 070001	
10	Rear base, scope mount	34	1 24 070002	
11	Screw, scope mount base	4	1 24 070003	
12	Scope mount upper part rail	79	1 3200070411	



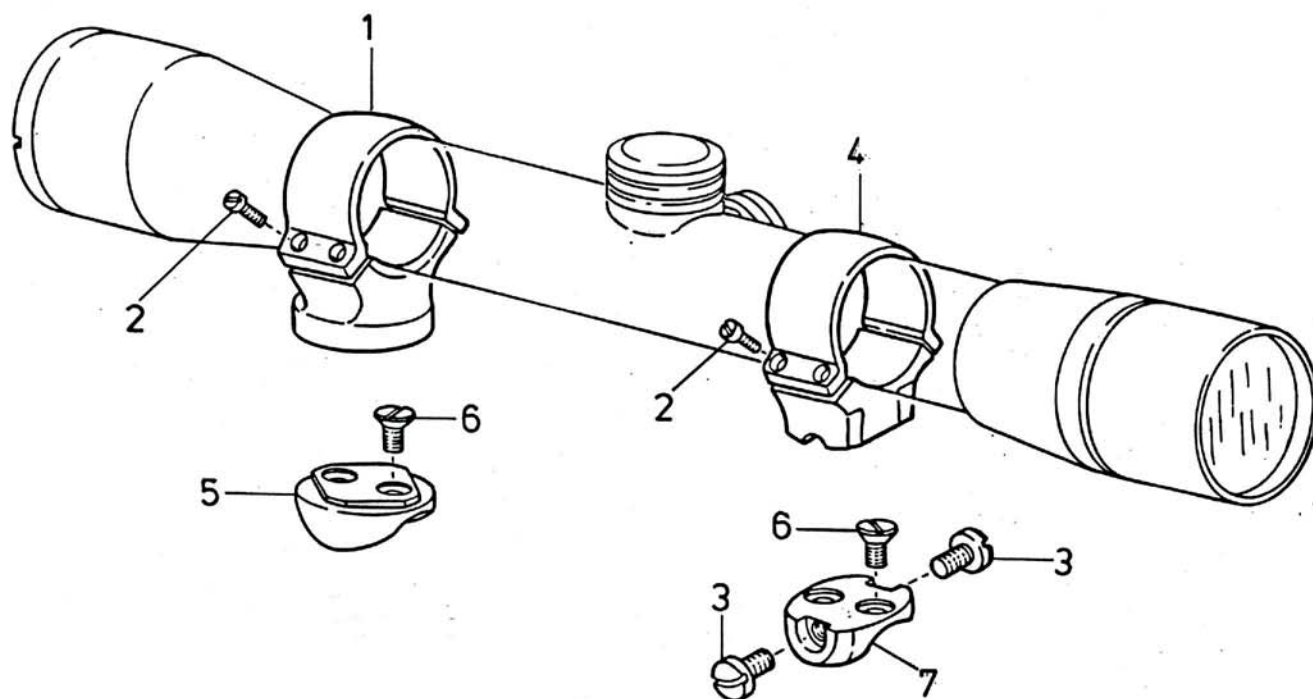
In order to avoid errors and incorrect deliveries, please indicate the needed part-number as well as the production number, the price gradation and the caliber of your rifle (pistol).

Subject to technical modifications and changing the price category

SPARE-PARTS

Model: Steyr-Mannlicher Model M**Type: 24****Subassembly: Scope mount ring USA**

Draw No.	Nomenclature	Price cat.	Part-Number	Remark
1	Front scope ring	48	1 1600070002	
2	Screw, scope mount ring	3	1 1600070003	
3	Windage screw	17	1 22 070034	
4	Rear scope ring	46	1 22 070040	
5	Front base, scope mount	41	1 24 070001	
6	Screw, scope mount base	4	1 24 070003	
7	Rear base, scope mount USA	51	1 24 070020	



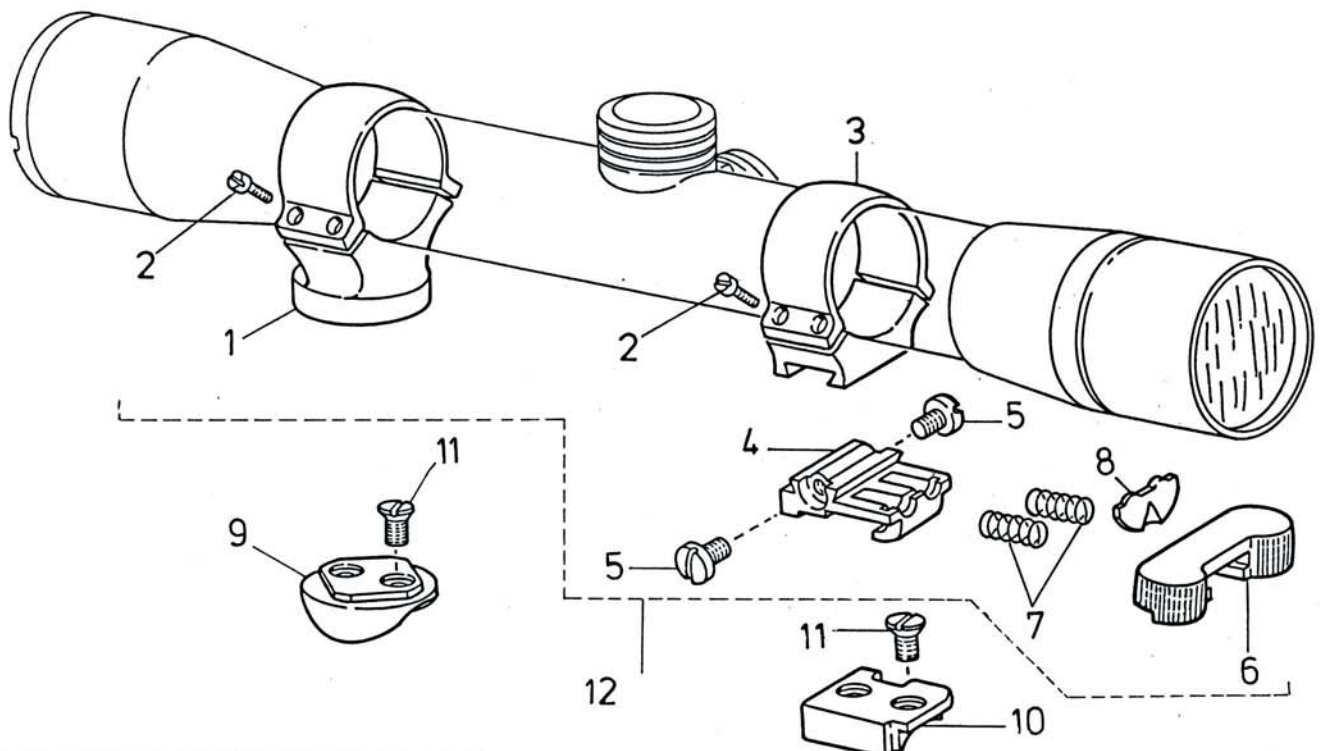
In order to avoid errors and incorrect deliveries, please indicate the needed part-number as well as the production number, the price gradation and the caliber of your rifle (pistol).

Subject to technical modifications and changing the price category

SPARE-PARTS

Model: Steyr-Mannlicher Model M**Type: 24****Subassembly: Scope mount ring europe 30 Ø**

Draw No.	Nomenclature	Price cat.	Part-Number	Remark
1	Front scope ring	50	1 1600070016	
2	Screw, scope mount ring	3	1 1600070003	
3	Rear scope ring	48	1 1600070017	
4	Dovetail, windage adjusting	45	1 22 070010	
5	Dovetail screw, windage adjusting	5	1 22 070012	
6	Rear mount slide	32	1 3200070004	
7	Slide spring, rear mount	2	1 22 070015	
8	Windage slide spring	3	1 22 070016	
9	Front base, scope mount	41	1 24 070001	
10	Rear base, scope mount	34	1 24 070002	
11	Screw, scope mount base	4	1 24 070003	
12	Scope mount upper part 30 Ø	79	1 3200070410	



In order to avoid errors and incorrect deliveries, please indicate the needed part-number as well as the production number, the price gradation and the caliber of your rifle (pistol).

Subject to technical modifications and changing the price category