

# INSTRUCTIONS FOR USE BETRIEBSANLEITUNG

## MANNLICHER ULTRA LIGHT



## MANNLICHER SCOUT



## STEYR ELITE



**MANNLICHER**

**IMPORTANT -  
READ BEFORE USE!**

**WICHTIG -  
VOR GEBRAUCH LESEN!**

[WWW.STEYR-MANNLICHER.COM](http://WWW.STEYR-MANNLICHER.COM)

**WARNING:**

Cleaning liquids or lubricants or insect repellents which contain solvents, may damage the synthetic parts of the weapon or even may damage them.

**CAUTION!**

**Before unpacking and using the rifle read this Operator's manual; it will warn the owner/user against possible dangers that could be caused by misuse, which might lead to accidents. This manual will familiarize you with the rifle's function and safe handling characteristics.**



**MANNLICHER SCOUT**



**STEYR ELITE**



**MANNLICHER ULTRA LIGHT with optional optic  
MANNLICHER ULTRA LIGHT mit Zielfernrohr (optional)**



**STEYR ELITE with optional optic  
STEYR ELITE mit Zielfernrohr (optional)**

**MAINTENANCE NOTES:**

**PERSONAL NOTES:**

Edition EU 01

The logo consists of the word "MANNLICHER" in a bold, white, sans-serif font, centered within a dark gray rectangular box with a thin white border.

**MANNLICHER**

**STEYR MANNLICHER GmbH & Co KG**

Ramingtal 46

4442 Kleinraming | Austria  
office@steyr-mannlicher.com  
www.steyr-mannlicher.com



**MANNLICHER ULTRA LIGHT**



**MANNLICHER SCOUT with optional optic**

**MANNLICHER SCOUT mit Zielfernrohr (optional)**



## **Dear Customer,**

With the purchase of the repeating rifle manufactured by STEYR MANNLICHER, you have acquired a hunting rifle which meets the highest quality standards. This rifle has been conceived to state-of-the-art requirements of today's hunting sports. Unsurpassed performance, superb quality, optimum user comfort in handling, and long service life have been the parameters this new development has been designed for. With our thorough quality assurance system you can be sure to have acquired a top-brand product of outstanding quality. Please read this manual carefully to familiarize yourself with the function and operation of this firearm. After having done so, there is nothing left for us to do but wish you much pleasure in pursuing the noble art of hunting with your new rifle.

## **Werter Kunde,**

Durch den Erwerb des STEYR MANNLICHER Repetierers besitzen Sie ein Gewehr, das höchsten Ansprüchen gerecht wird. Die Waffe wurde den zeitgemäßen jagdlichen Anforderungen entsprechend, entwickelt. Beste Schussleistung, höchste Qualität, Bedienungsfreundlichkeit sowie maximale Sicherheit des Schützen und lange Lebensdauer waren die Parameter, die es bei dieser Neuentwicklung zu erfüllen galt. Durch unser angewandtes Qualitätssicherungssystem haben Sie Garantie darüber, ein ausgezeichnetes Markenprodukt erworben zu haben. Nachdem Sie sich über die Funktion und Wirkungsweise dieser Jagdwaffe durch genaues Lesen der Betriebsanleitung Kenntnis verschaffen, wünschen wir Ihnen bei der Ausübung der Jagd viel Freude.

**OWNER'S MANUAL****MANNLICHER ULTRA LIGHT  
MANNLICHER SCOUT  
STEYR ELITE****PREFACE**

This manual and the warnings contained herein must be read and understood before using your rifle. This manual familiarizes the user with the function and the handling of the rifle and warns against the potential dangers of misuse that may lead to accidents or injuries. This manual should always accompany this firearm and be transferred with it upon change of ownership, or when the firearm is loaned or presented to another person.

**THIS MANUAL IS NOT A SUBSTITUTE FOR A HUNTING SAFETY COURSE OR A FIREARMS SAFETY COURSE!**

The logo consists of the word "MANNLICHER" in a bold, white, sans-serif font, centered within a dark gray rectangular box with a thin white border.**STEYR MANNLICHER GmbH & Co KG**

Ramingtal 46

4442 Kleinraming | Austria  
office@steyr-mannlicher.com  
www.steyr-mannlicher.com

## TABLE OF CONTENTS

1. Special Notes and Warnings .....	5
2. Definition of Terms .....	11
3. Technical Data .....	12
4. Before Shooting .....	12
5. Safety Features .....	13
6. Trigger .....	15
6.1. Forward Set Trigger .....	15
6.2. Direct Trigger .....	16
7. Removing the Magazine .....	17
8. Loading / Inserting the Magazine .....	17
9. Loading / Unloading .....	19
10. Removing the Bolt .....	22
11. Reinserting the Bolt into the Receiver .....	25
12. Uncocking the Rifle .....	25
13. Disassembling the Rifle .....	26
14. Disassembling the Bolt .....	27
15. Integral Open Sights .....	29
16. Mounting the Scope .....	31
17. Integral Bipod .....	32
18. Integral Accessory Mounting Rail .....	33
19. Detachable Sling Swivels .....	34
20. Adjusting Length of Pull .....	35
21. Adjusting the Butt Plate .....	35
22. Adjusting Cheek Piece .....	35

**TABLE OF CONTENTS**

23. Accessories .....	36
24. Mounting of HC- Kit (not for MANNLICHER ULTRA LIGHT)	37
25. Cleaning and Maintenance .....	38
26. Service .....	40
27. Parts List .....	88

## 1. SPECIAL NOTES AND WARNINGS

### INTRODUCTION

#### CAUTION

The higher level of preparedness required of law enforcement and military personnel may override several of the following safety instructions. To provide safety while operating at a higher level of preparedness, proper oriented training and a reasonable amount of periodic training, which stresses safe tactical procedures, is recommended.

FAILURE TO ADHERE TO SAFETY INFORMATION AND SAFETY INSTRUCTION IN THIS MANUAL COULD RESULT IN PROPERTY DAMAGE, PERSONAL INJURY OR DEATH.

#### CAUTION

Prior to loading and firing, carefully read this manual, which gives basic advice on the proper handling and functioning of this STEYR firearm. However, your safety and the safety of others (including your family) depend on your compliance with that advice, and your adoption, development and constant employment of SAFE PRACTICE.

IF UNFAMILIAR WITH FIREARMS, SEEK FURTHER ADVICE THROUGH SAFE HANDLING COURSES RUN BY YOUR LOCAL GUN CLUBS, APPROVED INSTRUCTOR, OR SIMILAR QUALIFIED ORGANIZATIONS.

#### CAUTION

IT IS POSSIBLE THAT A ROUND MAY BE IN THE CHAMBER WHEN A LOADED OR EMPTY MAGAZINE IS BEING REMOVED OR INSERTED. ANY ROUND IN THE CHAMBER WILL DISCHARGE UPON PULLING THE TRIGGER WITH THE MAGAZINE INSERTED OR REMOVED FROM THE RIFLE. THEREFORE THE USER SHALL NEVER LEAVE THE RIFLE UNATTENDED, EVEN WHEN THE MAGAZINE IS REMOVED AND

THE USER SHOULD EXERCISE EXTREME CAUTION AFTER REMOVING THE MAGAZINE AND PERSONALLY MUST VERIFY THAT THE CHAMBER IS ALSO EMPTY BEFORE FIELD-STRIPPING THE FIREARM FOR CLEANING OR ANY OTHER REASON.

## **WARNING**

IF THE STEYR RIFLE OR ANY OTHER FIREARM IS CARELESSLY OR IMPROPERLY HANDLED, THE USER COULD CAUSE AN UNINTENTIONAL DISCHARGE, WHICH COULD RESULT IN DEATH, SERIOUS INJURY AND/OR PROPERTY DAMAGE.

## **SAFETY INSTRUCTIONS**

We want you to enjoy shooting your STEYR RIFLE, but we want you to enjoy it safely. You may be an experienced safe shooter already, and familiar with the procedures in this manual, or you may never have handled a gun before. **Either way we urge you to READ THIS ENTIRE MANUAL CAREFULLY. It is essential to follow the safety instructions for your safety and the safety of others.**

## **WARNING**

STEYR RIFLES HAVE SEVERAL INTERNAL SAFETIES, DESIGNED TO PREVENT AN ACCIDENTAL DISCHARGE, SHOULD THE RIFLE BE DROPPED OR RECEIVES A SEVERE BLOW OF THE MUZZLE OR FRONT OR BACK OF THE RIFLE. THEREFORE EXTRA CARE AND **STRICT ADHERENCE TO THE SAFETY INSTRUCTIONS AND OTHER INSTRUCTIONS CONTAINED IN THIS MANUAL** BY THE GUN USER IS MANDATORY FOR MINIMIZING THE RISK OF ACCIDENTS. HOWEVER, LIKE ANY OTHER MECHANICAL DEVICE, WHEN SUBJECTED TO EXTREME FORCES NOT NORMALLY ENCOUNTERED IN SPORTING, LAW ENFORCEMENT OR MILITARY USE, A PART FAILURE CAN OCCUR. THE PROPER AND SAFE FUNCTION OF THIS RIFLE IS BASED ON THE PREMISE THAT PARTS ARE NOT ALTERED OR MODIFIED, AND THE RIFLE IS USED FOR ITS INTENDED PURPOSE.

## WARNING

In case any of the rifle's safeties proves to be ineffective for any reason, **DANGER** of an unintentional discharge exists. THE RIFLE IS THEN TO BE IMMEDIATELY UNLOADED AND RESTRICTED FOR ANY FURTHER USE. MAKE SURE THAT YOUR RIFLE IS PROPERLY REPAIRED AND CHECKED BY STEYR AUTHORIZED PERSONNEL BEFORE USING IT AGAIN!

## GENERAL PRECAUTIONS

- 1 ALWAYS HANDLE YOUR RIFLE AS IF IT WERE LOADED SO THAT YOU NEVER FIRE ACCIDENTALLY.
- 2 NEVER POINT YOUR RIFLE AT ANYTHING YOU DO NOT INTEND TO SHOOT.
- 3 NEVER TAKE ANYONE'S WORD THAT A GUN IS UNLOADED; CHECK FOR YOURSELF, WITH FINGERS OFF THE TRIGGER AND GUN POINTED IN A SAFE DIRECTION.
- 4 ALWAYS BE SURE BARREL AND THE TRIGGER MECHANISM ARE CLEAR OF OBSTRUCTIONS. CLEAN OBSTRUCTIONS IMMEDIATELY SO THAT THE RIFLE WILL FUNCTION CORRECTLY AND SAFELY.
- 5 NEVER SQUEEZE THE TRIGGER OR PUT YOUR FINGER IN THE TRIGGER GUARD UNTIL YOU ARE AIMING AT THE TARGET YOU INTEND TO SHOOT.
- 6 FOR STORAGE:  
UNLOAD THE FIREARM AS DESCRIBED, THEN AFTER VERIFYING THAT THE FIREARM IS EMPTY (CHAMBER EMPTY AND MAGAZINE OFF) STORE THE FIREARM IN THE PROVIDED CONTAINER IN SAFETY CONDITIONS ONLY.
- 7 NEVER SHOOT AT A HARD SURFACE, SUCH AS A ROCK, OR A LIQUID SURFACE, SUCH AS WATER. A BULLET MAY RICOCHET AND TRAVEL IN ANY DIRECTION TO STRIKE YOU OR AN OBJECT YOU CANNOT SEE.

- 8 ALWAYS BE SURE YOUR BACKSTOP IS ADEQUATE TO STOP AND CONTAIN BULLETS BEFORE BEGINNING TARGET PRACTICE SO THAT YOU DO NOT HIT ANYTHING OUTSIDE THE SHOOTING RANGE AREA.
- 9 ALWAYS BE ABSOLUTELY SURE OF YOUR TARGET AND THE AREA BEHIND IT BEFORE YOU SQUEEZE THE TRIGGER. A BULLET COULD TRAVEL THROUGH OR PAST YOUR TARGET UP TO 3,5 MILES (APPR. 5,6 KM). IF IN DOUBT DO NOT SHOOT.
- 10 ALWAYS PUT A RESPONSIBLE AND COMPETENT PERSON IN CHARGE TO MAINTAIN SAFETY DISCIPLINE AND CONTROL WHEN A GROUP IS FIRING ON A RANGE, TO REDUCE THE LIKELIHOOD OF ACCIDENTS.
- 11 ALWAYS CARRY YOUR RIFLE EMPTY AND OPEN WHILE ON A PUBLIC OR CLUB RANGE UNTIL PREPARING TO FIRE. KEEP IT POINTING TOWARDS THE BACKSTOP DURING LOADING, FIRING AND UNLOADING THE RIFLE.
- 12 NEVER LEAVE A RIFLE UNATTENDED. SOMEONE, ESPECIALLY A CHILD, MAY FIRE IT, BELIEVING IT TO BE A TOY.
- 13 NEVER USE YOUR RIFLE IF IT FAILS TO FUNCTION PROPERLY AND NEVER FORCE A JAMMED ACTION AS THE JAMMED ROUND MAY EXPLODE.
- 14 ALWAYS TRANSPORT YOUR RIFLE UNLOADED.
- 15 FAILURE TO FIRE:  
ALWAYS HOLD THE RIFLE, KEEPING IT POINTED TOWARDS THE TARGET AND WAIT 30 SECONDS WHEN PISTOL FAILS TO FIRE. IF A HANGFIRE (SLOW IGNITION) HAS OCCURRED, ROUND WILL FIRE WITHIN 30 SECONDS. IF ROUND HAS NOT FIRED REMOVE MAGAZINE, EJECT ROUND AND EXAMINE PRIMER. IF FIRING PIN INDENT ON PRIMER IS LIGHT, OFF CENTER OR NON- EXISTENT HAVE RIFLE EXAMINED BY A COMPETENT GUNSMITH. IF FIRING PIN



INDENT ON PRIMER APPEARS NORMAL (IN COMPARISON WITH SIMILAR PREVIOUSLY FIRED ROUNDS) ASSUME FAULTY AMMUNITION. SEPARATE ROUND FROM OTHER LIVE AMMUNITION AND EMPTY CASES, RELOAD AND CARRY ON FIRING. NOTE: Dispose of misfired rounds in accordance with ammunition manufacturer's instruction.

- 16 NEVER FIRE YOUR RIFLE NEAR AN ANIMAL UNLESS IT IS TRAINED TO ACCEPT THAT NOISE, AN ANIMAL'S STARTLED REACTION COULD INJURE IT OR CAUSE AN ACCIDENT.
- 17 NEVER WALK, CLIMB, FOLLOW A COMPANION OR HUNT WITH YOUR RIFLE READY TO FIRE (IN BATTERY).
- 18 NEVER DRINK ALCOHOLIC BEVERAGES OR TAKE DRUGS BEFORE OR DURING SHOOTING. AS YOUR VISION AND JUDGMENT COULD BE SERIOUSLY IMPAIRED, MAKING YOUR GUN HANDLING UNSAFE.
- 19 ALWAYS SEEK A DOCTOR'S ADVICE IF YOU ARE TAKING MEDICATION TO BE SURE YOU ARE FIT TO SHOOT AND HANDLE YOUR RIFLE SAFELY.
- 20 ALWAYS WEAR EAR PROTECTION WHEN SHOOTING, ESPECIALLY ON A RANGE. WITHOUT EAR PROTECTION THE NOISE FROM YOUR RIFLE AND OTHER GUNS CLOSE TO YOU COULD LEAVE A "RINGING" IN YOUR EARS FOR SOME TIME AFTER FIRING AND COULD LEAD TO CUMULATIVE LONG TERM PERMANENT HEARING LOSS.
- 21 ALWAYS MAKE SURE YOUR RIFLE IS NOT LOADED BEFORE CLEANING, STORING, TRAVELING OR HANDING IT TO ANOTHER PERSON.
- 22 ALWAYS KEEP CLEAR AND KEEP OTHERS CLEAR OF THE EJECTION PORT, AS SPENT CARTRIDGES ARE EJECTED WITH

ENOUGH FORCE TO CAUSE INJURY. NEVER PLACE FINGERS IN EJECTION PORT OR ON HOT SLIDE OR BARREL DURING OR AFTER FIRING, AS THEY COULD BE BURNED BY HOT METAL.

- 23 NEVER PLACE FINGERS IN EJECTION PORT. THEY COULD BE INJURED BY THE BOLT MOVING FORWARD UNINTENTIONALLY.
- 24 ONLY USE HIGH QUALITY COMMERCIALY MANUFACTURED AMMUNITION IN EXCELLENT CONDITION AND IN THE CALIBER OF YOUR RIFLE. THE USE OF RELOADED AMMUNITION WILL VOID THE WARRANTY, DUE TO THE FACT THAT THERE IS NO WAY TO VERIFY THE STANDARDS (SAMI/CIP) ADHERED TO BECAUSE RELOADS OR POOR QUALITY AMMUNITION SOMETIMES DO NOT NEED SPECIFICATION (SAMI/CIP), EXCEED LIMITS AND COULD BE UNSAFE.
- 25 NEVER SHOOT THE RIFLE WITHOUT SIGHTS. ALWAYS USE ORIGINAL STEYR-SIGHTS.
- 26 NEVER PULL THE TRIGGER BEFORE THE BOLT HAS COMPLETELY REACHED ITS MOST FORWARD POSITION (STARTING POSITION).

## **CAUTION**

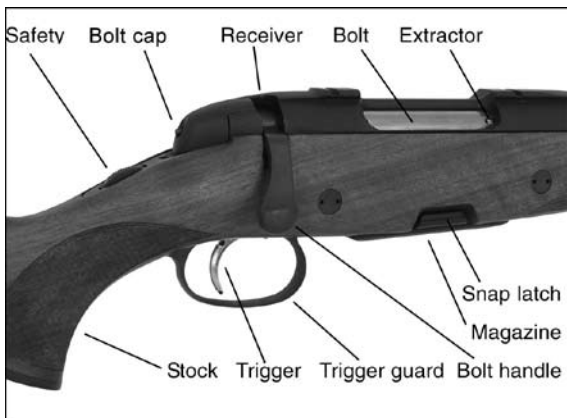
TO MINIMIZE RISK OF UNINTENTIONAL DISCHARGE (AND DAMAGE) LOAD LIVE AMMUNITION INTO RIFLE ONLY WHEN YOU ARE ABOUT TO SHOOT.

## **SPECIAL PRECAUTIONS IN SAFETY CONDITION 3 CONCERNING CHILDREN**

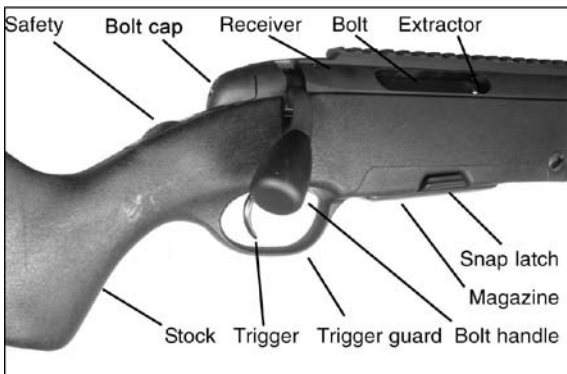
- 1 ALWAYS STORE YOUR RIFLE AND AMMUNITION IN SEPARATE LOCKED RECEPTACLES OUT OF SIGHT AND REACH OF CHILDREN.
- 2 NEVER LEAVE YOUR RIFLE UNCONTROLLED. UNAUTHORIZED PERSONS, ESPECIALLY CHILDREN, COULD BELIEVE THE WEAPON IS A TOY AND FIRE IT.

## 2. DEFINITION OF TERMS

### MANNLICHER ULTRA LIGHT



### MANNLICHER SCOUT and STEYR ELITE



### 3. TECHNICAL DATA

#### Caliber:

MANNLICHER ULTRA LIGHT .....	.222 Rem., .223 Rem., .243 Win., .308 Win., 7 mm-08 Rem
MANNLICHER SCOUT .....	.222 Rem., .243 Win., .308 Win., 7 mm-08 Rem., .376 Steyr
STEYR ELITE .....	.223 Rem., .308 Win., 7 mm-08 Rem.,

#### Overall length of rifle:

MANNLICHER ULTRA LIGHT .....	1020 mm / 40,2"
MANNLICHER SCOUT .....	980 mm / 38,6"
STEYR ELITE .....	1090 mm / 43"

#### Barrel length:

MANNLICHER ULTRA LIGHT .....	485 mm / 19"
MANNLICHER SCOUT .....	485 mm / 19"
STEYR ELITE .....	570 mm / 22,4"

#### Total weight (depends on caliber, without scope):

MANNLICHER ULTRA LIGHT .....	2,7 kg / 6,0 lbs
MANNLICHER SCOUT .....	3,0 kg / 6,6 lbs
STEYR ELITE .....	4,25 - 4,4 kg / 9,4 - 9,7 lbs

### 4. BEFORE SHOOTING

Before shooting, you only clean the barrel bore of oil and wipe the bore dry. If the weapon is not assembled, the bolt must be inserted into the receiver as described in section 11.

## 5. SAFETY

The safety can be operated only when the weapon is cocked or the bolt handle is open!

The „2 + 1 positions STEYR MANNLICHER safety“

### Firing Position:

#### CAUTION

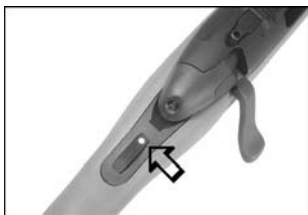
The cocked weapon is ready for firing, when the red dot is visible. The rotary slide is rotated fully forward.



### Safety Position:

By turning the rotary safety backward until a noticeable click can be felt, the safety is brought into loading position.

Only the white dot on the safety is visible!



In this position any unintentional firing of a shot will be prevented and the rifle can thus be loaded safely.

### Optional Lock Position:

Trigger is locked, bolt cannot be opened. To put the weapon on safe, the rotary safety slide on the butt neck must be rotated backward until the gray lock engages. The gray lock and the white dot on the safety are visible; the gray lock can also be felt as a protrusion for operation in darkness. In this position, the bolt cannot be opened. The set trigger is automatically uncocked when safety is on. The set trigger cannot be moved into set position.



### Lock Position + Firing Pin Safety

For added “firing pin safety“ the bolt handle can be moved closer to the stock in lock position and thus will be in optimal transport position. In this position, bolt handle and firing pin will be locked. If the bolt handle is in “Firing pin safety“ position, it will be automatically moved into firing position when activating the loading position (“Released“).



## 6. TRIGGER

The **MANNLICHER ULTRA LIGHT** comes with forward set trigger as standard equipment, the **MANNLICHER SCOUT** and **STEYR ELITE** with direct trigger. However, the rifle can be retrofitted with the alternative trigger system at any time.

### 6.1 Forward Set Trigger

For **setting**, the trigger must be pressed forward against the spring pressure. By slightly tipping the trigger it will return into its original position releasing the shot.

Without setting, the set trigger can be used as shotgun trigger.

#### **Uncocking:**

If the weapon is cocked, move safety slide in lock position to automatically uncock the rifle.

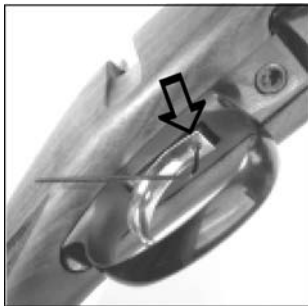
If the weapon is uncocked, pull through trigger.

#### **Adjustment of the forward set trigger:**

To reduce trigger pressure, turn the screw on the trigger in clockwise direction using a size 1.5 Allen key.

#### **WARNING:**

Turning the screw too far will make cocking impossible.



Turning the screw in counterclockwise direction will increase trigger pressure.

## 6.2 Direct Trigger

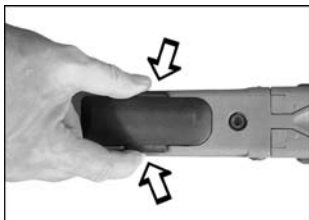
The weapon has been factory-set to optimal trigger characteristics. Thus, the shooter must not perform any changes or adjustments!





## 7. REMOVING THE MAGAZINE

Press the two snap latches at the right and the left of the magazine fully together using thumb and index finger of one hand and remove the magazine while pressing.



## 8. LOADING/INSERTING THE MAGAZINE

### Loading

Place cartridge on top of the magazine and push in by thumb pressure.



### Magazine Capacity:

MANNLICHER ULTRA LIGHT: 4 cartridges

MANNLICHER SCOUT: 5 cartridges (4 cartridges .376 Steyr)

10 cartridges HC magazine

(8 cartridges HC magazine .376 Steyr)

STEYR ELITE: 5 cartridges

10 cartridges HC magazine

## Inserting the magazine into the rifle

The magazine can be locked in the rifle in 2 positions:

### Normal position

Insert the magazine into the rifle and press it in until it locks with an audible click.

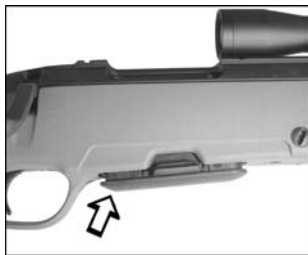
If the magazine is to be inserted without any noise, the two snap latches must be pressed against each other and the magazine pressed in until the two latches lock. The inserted magazine will be flush with the stock.

When the bolt is operated, a cartridge will be chambered from the magazine.



### Second magazine position

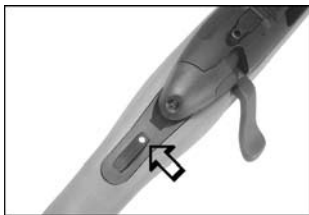
Press the two snap latches of the magazine against each other and push magazine into the rifle until the magazine latches on the upper detent. In this position the magazine will protrude from the stock by approx. 5 mm / 0,19". When the bolt is operated, cartridges **WILL NOT** feed from the magazine.



## 9. LOADING / UNLOADING

### Loading:

Move rotary safety of the rifle to position “**Safety**”.



Turn bolt handle  $70^\circ$  upwards to unlock the bolt. Pull bolt all the way to the back by the bolt handle.

When moving the bolt forward, a cartridge will be fed into the cartridge chamber of the barrel and by turning the bolt handle down, the action will be locked.



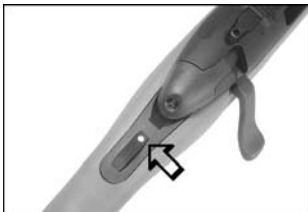
Release safety only shortly before firing the shot. For weapons with set trigger the trigger must be set before firing if it is to be used as set trigger. If the weapon has to be reloaded after firing a shot, the bolt handle must be opened.



By retracting the bolt, the spent cartridge shell will be extracted and ejected. Moving the bolt forward will feed a new cartridge into the cartridge chamber of the barrel. Relock the bolt by turning the bolt handle. Move rotary safety back to position **“Safe”**. The rifle is loaded, cocked, and safe, again. If the safety has been released, but no shot fired, the weapon must be immediately put on safe again.

**Unloading:**

Move rotary safety in position “Safe” (only white dot is visible).



Remove magazine or lock it in second position (magazine protrudes by approx. 5 mm/ 0,19“).



**By opening the bolt handle and retracting the bolt, the cartridge located in the loading chamber of the barrel will be extracted and ejected. Make certain that no cartridge is in the chamber.**

Close the bolt.

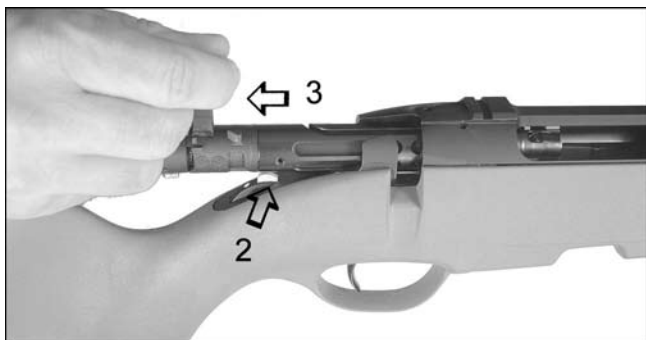
## 10. REMOVING THE BOLT

Removal of the bolt is recommended to facilitate proper cleaning of the barrel.

1. With your right hand, turn bolt handle 70° to the left (unlocking).

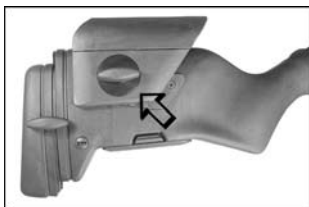


2. Move rotary safety to position “Lock” (gray lock snaps out).

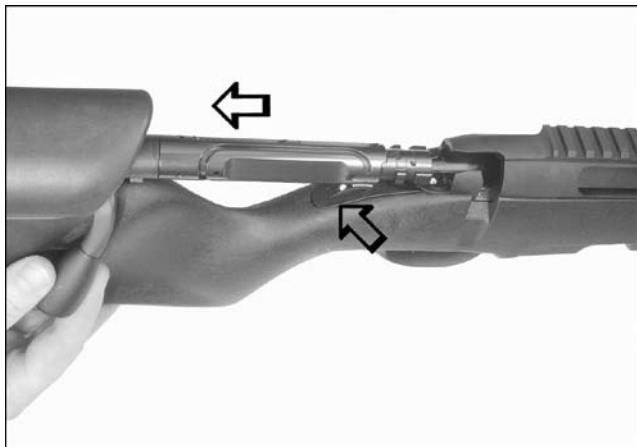


3. Hold bolt by the bolt handle and extract it from the receiver.

In the STEYR ELITE model, the cheek piece first has to be brought in the uppermost position.



Turn rotary safety in “Safe” position (gray lock will snap out), retract bolt from receiver and turn bolt handle downwards, so that the rear part of the bolt disappears in the cheek piece.



**Removing the cheek piece:**

The cheek piece is connected to the stock with a screw and by means of a snap-on mechanism.





## 11. REINSERTING THE BOLT INTO THE RECEIVER

First, make certain that the magazine has been removed or locked in second position and the weapon is unloaded! When reinserting the bolt into the receiver the rotary safety will be in “Lock” position. Hold the bolt by the bolt handle and insert it into the receiver. When inserting the bolt, rotate the bolt so that the bolt handle slides into the slot of the receiver. Move rotary safety slide to “Firing” position and lock the bolt handle while simultaneously pulling the trigger (to prevent cocking of the firing pin). When doing so, the indicator pin at the rear of the bolt sleeve will disappear.

## 12. UNCOCKING THE RIFLE

Make certain the weapon is unloaded and the safety is on “Firing position”. The bolt handle is open.

### **WARNING:**

**DO NOT ATTEMPT TO UNCOCK A LOADED RIFLE!**

When you are certain the rifle is empty, pull trigger and hold it while pushing the bolt handle to the right and downward. The indicator pin at the rear of the bolt sleeve will disappear indicating that the weapon is uncocked.

### 13. DISASSEMBLING THE RIFLE

Complete disassembly of the rifle by the user usually is not required. The two screws at the bottom side of the rifle connect the action to the stock.



If these screws are loosened, they have to be retightened again with a torque wrench (7 Nm).

#### **WARNING:**

**When removing the action from the rifle, the hex screw at the front bottom side of the receiver must never be loosened. The screw has been factory-tightened with a torque of 10 Nm.**

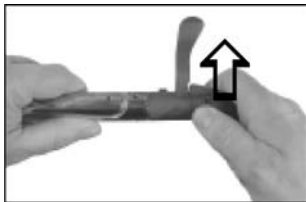


## 14. DISASSEMBLING THE BOLT

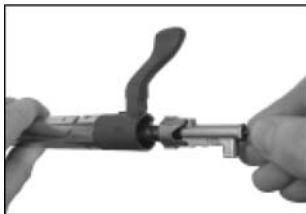
Under normal circumstances, the bolt doesn't need to be disassembled. It has been permanently lubricated by the factory. As a rule, occasional inspection by the gunsmith of your franchised MANNLICHER Dealer should be sufficient to ensure adequate maintenance. If you wish, you may ask an expert gunsmith to instruct you in the disassembly and reassembly of the bolt. However, special circumstances with no gunsmith available may require that the bolt be disassembled, cleaned, and lubricated.

### Disassembly:

Grip the bolt with your left hand. Push in catch lever with your right thumb and simultaneously rotate the bolt sleeve clockwise (arrow shows direction of rotation) until it unlocks with an audible click. Take off bolt sleeve and extract firing pin assembly.



Now, all parts can be cleaned and lubricated as required.



Any further disassembly should be done only by adequately trained and skilled personnel (gunsmith).

**CAUTION:**

**When disassembling, never rotate the bolt sleeve in counterclockwise direction. Otherwise, the bolt could not be reinserted into the receiver.**

**Reassembling the bolt:**

Grip the bolt with your left hand. Insert firing pin assembly into bolt with the cocking piece aligned directly opposite to the bolt handle. Using your right hand, slide the bolt sleeve on the cocking piece until it stops, simultaneously pressing the catch lever with your thumb. Rotate the bolt sleeve counterclockwise until it locks into position.

Make sure not to turn the bolt sleeve beyond the line of alignment between its cover part and the bolt handle.

Any further disassembly is reserved to for the gunsmith, who will have the requisite special tools and devices at his disposal.

## 15 INTEGRAL OPEN SIGHTS

The MANNLICHER SCOUT is equipped with integral open sights. The „Jeff Cooper Package“ comes with a Scout Scope mounted to the rifle. In order to use the integral open sights, (Ghost ring sight and front sight), the Scout Scope has to be removed.

The front sight can be snapped out by moving the sight release slide forward.

If you do not need the front sight, you can push the sight release slide forward with one thumb and flap in the front sight with your other thumb.



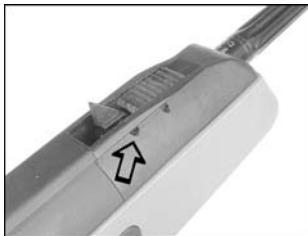
You can snap out the Ghost ring sight with a finger nail, the tip of a cartridge or a similar object.

If you do not need the Ghost ring sight, you can flap it back with your thumb.



**Front sight, windage:**

The adjustment screw on the right side of the rifle can be turned to the right or to the left:



To the left = point of impact shifts to the right.  
To the right = point of impact shifts to the left.

**Rear sight („Ghost ring“), elevation:**

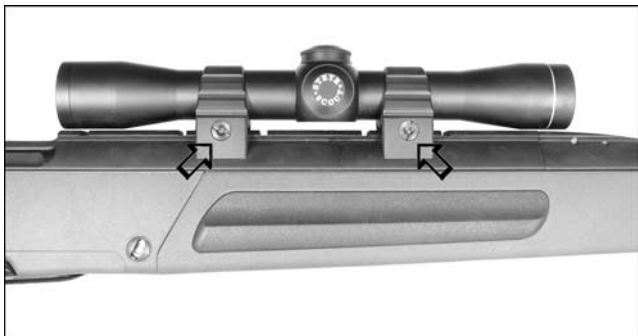
The screw on the back of the Ghost ring permits the adjusting of the elevation.



To the left (counterclockwise) = raises the point of impact.  
To the right (clockwise) = lowers the point of impact.

## 16. MOUNTING THE SCOPE

The MANNLICHER SCOUT with the „Jeff Cooper Package“ includes a pre-mounted Scout Scope. In order to use the integral open sights, the Scout Scope has to be removed. For this purpose, the two screws and slotted nuts of the scope mount have to be removed.



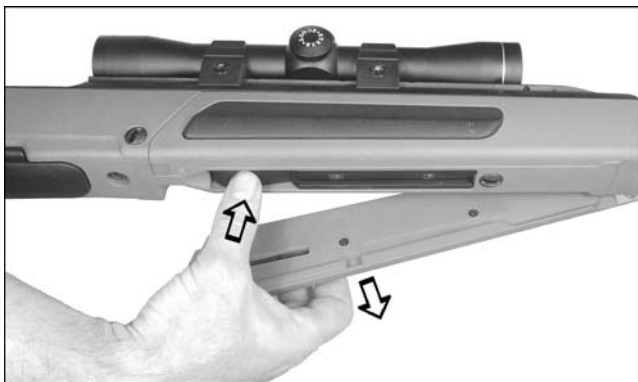
## 17. INTEGRAL BIPOD

### Extending the integral bipod:

The unloaded and safe rifle (Lock position) is pointed in a safe direction.



Depress the bipod arm release on the bottom of the stock and swing the bipod arms downward and forward until an audible click is heard and the bipod arms are locked in the extended position.





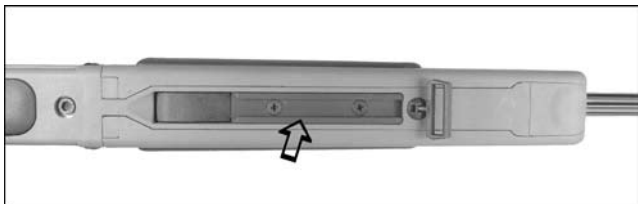
In this position, the bipod will allow for ease of use and user comfort on uneven terrain by allowing a 15 degree axial rotation from vertical to either side (30 degree total arc).

### **Retracting the bipod:**

With the rifle pointed in a safe direction and the safety on Lock position, align the bipod with the stock. Then, firmly pull upwards and back on the arms of the bipod, align the tabs of the ends of the bipod arms with the stock and lock them in the closed position.

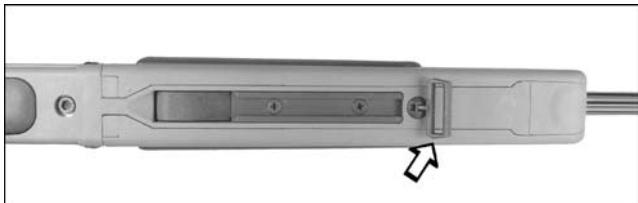
## **18. INTEGRAL ACCESSORY MOUNTING RAIL**

An integral mounting rail for the installation of accessories, such as bipod, flashlight, handstop, aiming device, etc. is located on the front lower side of the stock.



## 19. DETACHABLE SLING SWIVELS:

The sling swivels can be removed by pushing and turning them.



### **WARNING:**

Be sure that the rifle is unloaded and the safety on Lock position, before mounting the sling.



## 20. ADJUSTING LENGTH OF PULL

The butt plate can be removed using a screw driver.

The length of pull may be adjusted individually by means of spacers.



## 21. ADJUSTING THE BUTT PLATE

The butt plate of the **STEYR ELITE** model can be adjusted for height to meet the shooter's individual requirements.

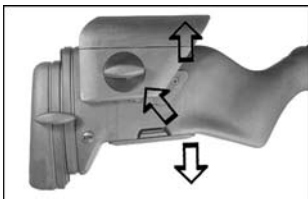
Loosen fastening screw, move butt plate to desired position, retighten fastening screw.



## 22. ADJUSTING CHEEK PIECE

The cheek piece of the **STEYR ELITE** model can be adjusted for height to meet the shooter's individual requirements.

Loosen fastening screw, move cheek piece to desired position, retighten fastening screw.



## 23. ACCESSORIES

The following optional accessories are available:

- Magazine
- Combined double-pull / forward set trigger.
- Stock spacers
- HC-Kit for 10-round magazine (not for caliber .223 Rem)
- 10-round magazine (not for caliber .223 Rem)
- Cartridge carrier for 5 rounds
- Three-point leather sling
- Decoration inserts
- Scope mount for **MANNLICHER SCOUT**, diameters 1" and 30 mm

## 24. MOUNTING OF HC- KIT

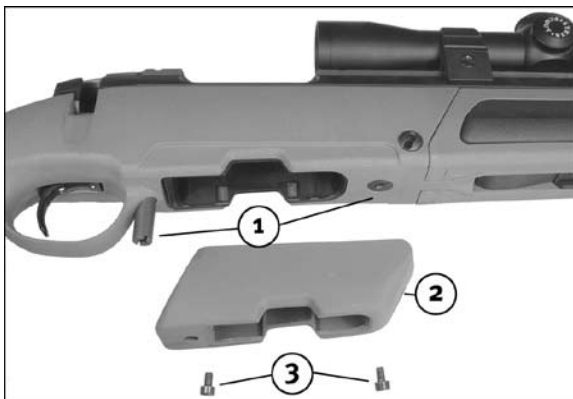
Remove magazine and bolt.

Remove both cylinder head screws with Allen key, wrench size 5 mm.



Turn in connecting screws (1) of HC-KIT and tighten to a torque of 9 Nm.

It is recommended to secure the connecting screws with Loctite 242.



Slip on HC- adaptor (2) to the connecting screws, ensure correct alignment.

Turn in cylinder head screws M5 x 8 (3) and tighten tool a torque of 9 Nm.

## 25. CLEANING AND MAINTENANCE

The action of the **MANNLICHER ULTRA LIGHT**, **MANNLICHER SCOUT** and **STEYR ELITE** has been designed to require no maintenance for prolonged periods.

Never use steel brushes to clean the barrel. The recommended cleaning material is silk noil or cotton wool which should be soaked with a special barrel oil or a high quality gun oil for pre-cleaning or final oiling. Special agents for removing copper deposits may be used as directed.

Make sure to always clean the barrel from rear to front. Never draw the silk noil or cotton patch back through the barrel after it emerges from the muzzle; rather, remove the noil or patch. Make sure to avoid even the slightest wear or damage to the muzzle crown. After cleaning, the barrel bore should be oiled lightly.

### **WARNING:**

**A rotary bushing inserted between the barrel and the receiver may be dislodged by improper cleaning, including the use of oversized patches or oversized cleaning brushes. If the bushing is dislodged, the bolt cannot be inserted or locked.**

Before firing your gun, any residual oil in the barrel should be removed with a final dry patch. Otherwise the point of impact may shift.

For the wooden stock, only special stock-oil with silicone is recommended.

The synthetic stock should be cleaned with mild soap and water.

All external metal surfaces should be treated with a gun oil that creeps under moisture and does not emulsify.

For the scope mount and all movable parts, special permanent lubricants are recommended. Make sure to always keep the scope mount free of any contamination, in particular, the pivot pin of the front base and the mechanical parts. Grease slightly from time to time.

It is recommended to use a different type of oil for cleaning and for preservation or greasing.

**WARNING:**

**The use of gun care products and cleaning agents as well as insect repellents containing solvents may change or even damage the synthetic parts.**

## 26. SERVICE

Prior to shipment, your rifle has been subjected to thorough quality assurance inspections.

If your rifle should require a replacement of parts or repair, such replacement or repair work may be done only by an authorized and qualified gunsmith. Please contact one of our authorized STEYR MANNLICHER dealers.

### **WARNING:**

**Only original spare parts may be used for repairs or replacement!**



## **Guaranteed STEYR MANNLICHER accuracy**

STEYR MANNLICHER barrels are made from high quality barrel steel and are produced according to the latest findings in barrel production technology.

Our weapons are well known for their outstanding accuracy. However, the accuracy of a weapon depends on several factors; one of the most important factors is the ammunition used. Not every ammunition is suitable for a given type of barrel. Even ammunition from the same manufacturer and of the same brand may show different accuracy results from production lot to production lot and when fired from different weapons.

With optimal ammunition we guarantee excellent accuracy of our weapons. Claims regarding insufficient accuracy must be reported to us in writing within 1 month after purchase of the weapon. Should accuracy tests at our facilities show that the claim was unjustified, all costs for the accuracy test, including shipping costs will be charged to the claimant.

We wish you much pleasure with your  
**MANNLICHER RIFLE.**





## BETRIEBSANLEITUNG

### MANNLICHER ULTRA LIGHT MANNLICHER SCOUT STEYR ELITE

#### VORWORT

Diese Bedienungsanleitung und die darin enthaltenen Warnhinweise müssen vor Inbetriebnahme und Einsatz des Gewehres unbedingt gelesen und verstanden werden. Sie macht den Benutzer mit der Funktion und Handhabung der Waffe vertraut und enthält Warnungen vor möglichen Gefahren, die durch falsche Bedienung oder Handhabung auftreten und zu Unfällen oder Verletzungen führen können. Diese Bedienungsanleitung sollte immer mit der Waffe mitgeführt werden. Dies gilt auch für den Besitzerwechsel oder sonstige Überlassung. DIESE BETRIEBSANLEITUNG STELLT KEINEN ERSATZ FÜR EINE SICHERHEITSSCHULUNG IM UMGANG MIT EINER WAFFE DAR!



**MANNLICHER**

**STEYR MANNLICHER GmbH & Co KG**

Ramingtal 46

4442 Kleinraming Austria

[office@steyr-mannlicher.com](mailto:office@steyr-mannlicher.com)

[www.steyr-mannlicher.com](http://www.steyr-mannlicher.com)

## INHALTSVERZEICHNIS

1. Besondere Maßregeln und Warnhinweise .....	47
2. Begriffsbestimmungen .....	55
3. Technische Daten .....	56
4. Maßnahmen vor dem Schießen .....	56
5. Sicherungen .....	57
6. Abzug .....	59
6.1 Rückstecher .....	59
6.2 Druckpunktabzug .....	60
7. Magazin herausnehmen .....	61
8. Magazin füllen und einsetzen .....	61
9. Laden/Entladen .....	63
10. Verschluss herausnehmen .....	66
11. Verschluss in das Gehäuse einführen .....	69
12. Waffe entspannen .....	69
13. Zerlegen der Waffe .....	70
14. Verschluss zerlegen und zusammenbauen .....	71
15. Mechanische Visierung .....	73
16. Zielfernrohrmontage .....	75
17. Integriertes Zweibein .....	76
18. Integrierte Montageschiene .....	77
19. Abnehmbare Riemenbügel .....	78
20. Anschlaglänge einstellen .....	79
21. Schaftkappe einstellen .....	79
22. Schaftbacke einstell .....	79

## INHALTSVERZEICHNIS

23. Zubehör .....	80
24. HC-Kit montieren (nicht für MANNLICHER ULTRA LIGHT)	81
25. Reinigung und Pflege .....	82
26. Service .....	84
27. Ersatzteilliste .....	88

## 1. BESONDERE MASSREGELN UND WARNHINWEISE

### **EINLEITUNG**

**VORSICHT NICHTBEACHTUNG DER IN DIESER BEDIENUNGSANLEITUNG BESCHRIEBENEN SICHERHEITSBESTIMMUNGEN KANN ZU SACHSCHÄDEN UND VERLETZUNGEN, UNTER UMSTÄNDEN MIT TÖDLICHEM AUSGANG, FÜHREN.**

### **VORSICHT**

Lesen Sie bitte vor dem Laden und Auslösen eines Schusses die vorliegende Bedienungsanleitung sorgfältig durch. Sie enthält grundlegende Hinweise hinsichtlich Funktion und richtiger Handhabung der Waffe. Beachten Sie bitte immer, dass Ihre eigene Sicherheit und auch die Sicherheit anderer (einschließlich Ihrer Familie) davon abhängen kann, dass Sie diese Sicherheitsbestimmungen genau befolgen und beim Umgang mit Ihrer Waffe immer die Grundsätze für eine SICHERE HANDHABUNG befolgen und einhalten.

**FALLS SIE IM UMGANG MIT WAFFEN NICHT VERTRAUT SEIN SOLLTEN, BESUCHEN SIE EINEN ENTSPRECHENDEN LEHRGANG. SOLCHE LEHRGÄNGE WERDEN VOM WAFFENHANDEL, LIZENZIERTEN TRAINERN USW. ANGEBOTEN.**

### **VORSICHT**

ES BESTEHT DIE MÖGLICHKEIT, DASS SICH NOCH EINE PATRONE IM LAUF BEFINDET, WENN EIN GELADENES ODER LEERES MAGAZIN ABGENOMMEN ODER EINGESETZT WIRD. FALLS SICH EINE PATRONE IM LAUF BEFINDET, WIRD DIESE BEI ZIEHEN DES ABZUGES MIT EINGESETZTEM ODER ABGENOMMENEM MAGAZIN GEZÜNDET. DER BENUTZER DARF DIE WAFFE DAHER NIE UNBEAUF SICHTIGT LASSEN. SELBST WENN DAS MAGAZIN ABGENOMMEN WURDE MUSS DIE WAFFE AUCH NACH DEM ENTFERNEN DES MAGAZINS MIT BESONDERER VORSICHT GEHANDHABT WERDEN. DER BENUTZER MUSS SICH VOR DEM ZERLEGEN ZUR REINIGUNG ODER ZU EINEM

ANDEREN ZWECK PERSÖNLICH ÜBERZEUGEN, DASS DER LAUF LEER IST.

## **WARNHINWEIS**

BEI UNACHTSAMER ODER FALSCHER HANDHABUNG EINER HANDFEUERWAFFE KANN ES ZU EINER UNBEABSICHTIGTEN SCHUSSABGABE KOMMEN, DIE TÖDLICHE ODER ANDERE SCHWERE VERLETZUNGEN UND/ODER SACHSCHÄDEN ZUR FOLGE HABEN KÖNNTE.

## **SICHERHEITSBESTIMMUNGEN**

Wir möchten, dass Sie Spaß beim Schiessen mit Ihrer Waffe haben und möchten aber auch, dass Sie dieses Vergnügen auf sichere Art geniessen können. Sie mögen ein erfahrener Schütze sein, der mit den in dieser Bedienungsanleitung beschriebenen Handgriffen bereits vertraut ist. Es könnte aber auch sein, dass Sie bisher noch keine Erfahrung im Umgang mit Waffen hatten. Wir bitten Sie aber eindringlich, in jedem Fall DIE BEDIENUNGSANLEITUNG IN VOLLEM UMFANG DURCHZULESEN. Die darin beschriebenen Sicherheitsbestimmungen müssen in jedem Fall zu ihrer eigenen Sicherheit und zur Sicherheit anderer unbedingt befolgt werden.

## **WARNHINWEIS**

MANNLICHER CLASSIC und PRO HUNTER verfügen über verschiedene eingebaute Vorrichtungen und mechanische Sicherungen, die eine ungewollte Schussabgabe mit der Waffe durch unbeabsichtigtes Fallenlassen oder durch einen Schlag auf die Mündung oder den Vorder- oder Hinterteil der Waffe verhindern sollen. Zur Vermeidung der Gefahr möglicher Unfälle ist daher für den Benutzer unter allen Umständen größtmögliche Vorsicht und eine genaue Befolgung und Beachtung der Sicherheitsbestimmungen und anderer Verhaltensregeln in dieser Bedienungsanleitung geboten. Wie bei jedem anderen mechanischen Gerät kann es unter extremen Bedingungen oder bei Einwirkung extremer Kräfte, welche unter normalen Umständen nicht auftreten, zu einem teilweisen versagen oder einer Fehlfunktion kommen.



Die richtige und sichere Funktion dieser Waffe kann nur unter der Voraussetzung gewährleistet werden, dass keine Teile geändert oder modifiziert werden und die Waffe nur für die vorgesehenen Zwecke verwendet wird.

## **WARNHINWEIS**

Falls eine der Sicherheitsvorrichtungen der Waffe aus irgendeinem Grund nicht funktionsfähig sein sollte, besteht die **GEFAHR** einer unbeabsichtigten Lösung eines Schusses. Die Waffe muss in einem solchen Fall sofort entladen und für jeden weiteren Gebrauch gesperrt werden. Stellen sie vor jedem weiteren Einsatz ihrer Waffe sicher, dass diese durch eine von STEYR MANNLICHER bevollmächtigte Fachwerkstätte entsprechend instandgesetzt und geprüft wurde!

## **ALLGEMEINE VORSICHTSMASSNAHMEN**

- 1 Handhaben sie ihre Waffe immer so, als ob sie geladen wäre; auf diese Weise kann eine ungewollte Schussabgabe verhindert werden.
- 2 Richten sie die Waffe niemals auf ein Ziel, auf das sie nicht schießen wollen.
- 3 Vertrauen sie nie darauf, dass eine Waffe nicht geladen sei. Überzeugen sie sich selbst - ohne Finger am Abzug und mit der Mündung in eine sichere Richtung gerichtet.
- 4 Überzeugen sie sich immer, dass Lauf und Verschluss frei von Hindernissen (Schadhafter Munition, Geschoss-Stecker) sind. Etwas Hindernisse sind sofort zu beseitigen, um die richtige und sichere Funktion der Waffe sicherzustellen. Jegliches Hindernis in der Laufbohrung kann zu einer Zerstörung der Waffe, zu schweren Verletzungen oder zum tödlichen Ausgang für den Schützen oder Personen, welche sich neben der Waffe befinden, führen.

- 5 Legen sie den Finger niemals auf den Abzug und drücken sie niemals den Abzug, solange die Mündung nicht auf das Ziel gerichtet ist, und sie beschlossen haben, einen Schuss abzugeben.
- 6 **AUFBEWAHRUNG:**  
Entladen sie die Waffe wie beschrieben, überzeugen sie sich sodann, das die Waffe auch tatsächlich ungeladen ist (Lauf leer, Magazin abgenommen). Bewahren sie die Waffe im entsprechenden Sicherungszustand auf.
- 7 Schiessen sie nie auf harte Oberflächen wie Steine oder Felsen oder auf die Oberfläche einer Flüssigkeit wie etwa Wasser. Das Geschoss könnte durch den Abprall in eine ungewollte Richtung gelenkt werden und sie selbst oder ein anderes, von ihnen nicht eingesehenes Ziel treffen.
- 8 Überzeugen sie sich, bevor sie eine Schießübung beginnen immer, das eine entsprechende Auffangvorrichtung für ihre Geschosse vorhanden ist, damit sie keine Ziele außerhalb des Schießstandes treffen.
- 9 Überzeugen sie sich vor dem Ziehen des Abzuges immer, dass sie ihr Ziel und das dahinter liegende Gelände genau kennen. Ein Geschoss könnte das Ziel durchschlagen oder es verfehlen und bis zu etwa 6 km weiterfliegen. Feuern sie keinen Schuss ab, wenn sie nicht absolut sicher sind.
- 10 Falls sie auf einem Schießstand eine Schießübung in Gruppen veranstalten, beauftragen sie immer eine verantwortungsbewusste und zuverlässige Person damit, für entsprechende Disziplin und ausreichende Sicherheitskontrolle zu sorgen, um so die Gefahr von Unfällen zu vermeiden.
- 11 Tragen sie auf einem öffentlichen oder Vereinsschießstand

Ihre Waffe immer solange in leerem und offenen Zustand, bis sie mit den Vorbereitungen für die Schussabgabe beginnen. Richten sie die Mündung beim Laden, Abfeuern und Entladen immer gegen die Auffangvorrichtung.

- 12 Lassen sie ihre Waffe niemals unbeaufsichtigt. Unbefugte Personen, vor allem Kinder, könnten die Waffe für ein Spielzeug halten und abfeuern.
- 13 Verwenden sie ihre Waffe niemals, nachdem sie eine Fehlfunktion festgestellt haben, und versuchen sie niemals einen klemmenden Verschluss mit Gewalt zu lösen, da dabei die festgeklemmte Patrone gezündet werden könnte.
- 14 Transportieren sie ihre Waffe immer im ungeladenen Zustand mit aktiver Sicherung.

15 **FEHLER BEIM ABFEUERN:**

Im Falle eines Abfeuerungsdefektes halten sie die Mündung immer auf das Ziel gerichtet und warten sie 30 Sekunden. Falls ein Zündungsdefekt (Langsame Zündung) aufgetreten ist, wird der Schuss innerhalb von 30 Sekunden abgefeuert. Falls der Schuss nicht abgefeuert wird, Magazin entfernen, Patrone auswerfen und Zündhütchen überprüfen. Falls die Einschlagkerbe des Schlagstiftes am Zündhütchen nur gering oder außermittig ist oder sich gar keine Einschlagkerbe erkennen lässt, ist die Waffe in einer Fachwerkstätte überprüfen zu lassen. Falls die Einschlagkerbe des Schlagstiftes am Zündhütchen normales Aussehen hat (im Vergleich zu ähnlichen zuvor abgefeuerten Patronen) ist ein Munitionsfehler anzunehmen. In diesem Fall ist die Patrone auszusondern, und es kann eine neue Patrone geladen und das Schiessen fortgesetzt werden.

**HINWEIS:**

Defekte Munition ist gemäß den Richtlinien des Munitionsher-

stellers zu entsorgen.

- 16 Feuern sie ihre Waffe niemals in der Nähe eines Tieres ab, das nicht an das Schussgeräusch gewöhnt ist. Das Tier könnte sich durch die Schreckreaktion verletzen oder einen Unfall verursachen.
- 17 Achten sie darauf, niemals mit feuerbereiter Waffe zu wandern, zu klettern, einem Begleiter zu folgen oder zu jagen.
- 18 Der Konsum von Alkohol und Drogen ist vor oder während des Schiessens unbedingt zu vermeiden, da Alkohol und Drogen Ihr Seh- und Urteilsvermögen stark beeinträchtigen und so zu Gefahren bei der Handhabung der Waffe führen können.
- 19 Falls sie Medikamente verwenden, fragen sie immer ihren Arzt um Rat, ob durch diese Medikamente Ihre Fähigkeit, die Waffe sicher abzufeuern und zu handhaben, beeinträchtigt sein könnte.
- 20 Tragen sie beim Schiessen immer einen geeigneten Gehörschutz, vor allem am Schießstand. Ohne Gehörschutz kann das Schussgeräusch ihrer eigenen Waffe und anderer in ihrer unmittelbaren Nähe abgefeuerter Waffen zu einem einige Zeit anhaltenden „Rauschen“ im Ohr und langfristig zu bleibenden Gehörschäden führen.
- 21 Tragen sie zum Schutz ihrer Augen immer eine Schutzbrille.
- 22 Bevor sie die Waffe reinigen, mit ihr verreisen oder einer anderen Person übergeben, überzeugen sie sich immer, dass sie nicht geladen ist und dass der Verschluss in offener Stellung und das Magazin entfernt ist.
- 23 Halten sie sich und andere Personen von der Auswurföffnung

der Waffe fern, da die leeren Patronenhülsen beim Auswerfen zu Verletzungen führen könnten. Legen sie ihren Finger niemals in die Auswurföffnung oder auf den betriebswarmen Verschluss und Lauf, da das heiße Metall zu Verbrennungen führen könnten.

24 Verwenden sie nur im Handel erhältliche Qualitätsmunition in einwandfreiem Zustand und in dem für ihre Waffe vorgesehenen Kaliber. Bei Verwendung von nach- oder selbstgeladener Munition erlöschen alle Garantieansprüche, da es nicht möglich ist die Einhaltung der Qualitätsstandards (CIP/SAMMI/NATO) zu überprüfen, weil für nachgeladene oder qualitativ minderwertige Munition unter Umständen keine Qualitätsnormen (CIP/SAMMI/NATO) erforderlich sind, die festgelegten Grenzwerte überschritten werden und die Sicherheit nicht gewährleistet werden kann.

25 Ziehen sie niemals den Abzug, solange der Verschluss nicht vollständig verriegelt ist.

## **VORSICHT**

Tragen sie ihre Waffe nie in feuerbereitem Zustand. Ein Tragen der Waffe in diesem Zustand gilt nicht als für zivile Zwecke empfohlene Form der sicheren Handhabung.

## **VORSICHT**

Um die Gefahr einer unbeabsichtigten Schussabgabe (und damit von Personen- und Sachschäden) zu vermeiden, sollte scharfe Munition erst unmittelbar vor dem Abfeuern der Waffe geladen werden.

## BESONDERE VORSICHTSMASSNAHMEN IN BEZUG AUF KINDER

- 1 Bewahren sie ihre Waffe und die Munition immer in getrennten und versperrten Behältern außerhalb der Sicht- und Reichweite von Kindern auf.
- 2 Lehren sie den Kindern immer einen vorsichtigen und respektvollen Umgang mit Waffen.
- 3 Lassen sie ihre Waffe nie unbeaufsichtigt. Unbefugte Personen, vor allem Kinder, könnten die Waffe für ein Spielzeug halten und sie abfeuern.
- 4 Bewahren sie ihre Waffe immer im ungeladenen Zustand mit aktivierter Sicherung auf. Das Gleiche gilt für den Transport der Waffe.

## 2. BEGRIFFSBESTIMMUNGEN

### MANNLICHER ULTRA LIGHT



### MANNLICHER SCOUT und STEYR ELITE



### 3. TECHNISCHE DATEN

#### Kaliber:

MANNLICHER ULTRA LIGHT .....	.222 Rem., .223 Rem., .243 Win., .308 Win., 7 mm-08 Rem
MANNLICHER SCOUT .....	.222 Rem., .243 Win., .308 Win., 7 mm-08 Rem., .376 Steyr
STEYR ELITE .....	.223 Rem., .308 Win., 7 mm-08 Rem.,

#### Gesamtlänge:

MANNLICHER ULTRA LIGHT .....	1020 mm / 40,2"
MANNLICHER SCOUT .....	980 mm / 38,6"
STEYR ELITE .....	1090 mm / 43"

#### Lauflänge:

MANNLICHER ULTRA LIGHT .....	485 mm / 19"
MANNLICHER SCOUT .....	485 mm / 19"
STEYR ELITE .....	570 mm / 22,4"

#### Gesamtgewicht: (abhängig von Kaliber, ohne Zielfernrohr):

MANNLICHER ULTRA LIGHT .....	2,7 kg / 6,0 lbs
MANNLICHER SCOUT .....	3,0 kg / 6,6 lbs
STEYR ELITE .....	4,25 - 4,4 kg / 9,4 - 9,7 lbs

### 4. MASSNAHMEN VOR DEM SCHIESSEN

Vor dem Schießen ist lediglich der Lauf zu entölen und trocken zu wischen. Falls Sie die Waffe fabriksverpackt erhalten, muß der Verschuß wie unter Kapitel 11 beschrieben, in das Gehäuse eingesetzt werden.



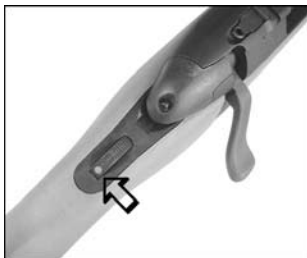
## 5. SICHERUNGEN

Die Sicherung kann nur betätigt werden, wenn die Waffe gespannt oder der Kammergriff geöffnet ist!

Die „**2 + 1 Stellungen Sicherung**“  
von STEYR MANNLICHER

### **Feuer-Stellung: ACHTUNG Ent-sichert**

Die gespannte Waffe ist feuerbereit wenn der rote Punkt an der Sicherung sichtbar ist. Das Sicherungsrädchen ist in vorderster Position.



### **Sicherungs-Stellung:**

Durch Drehen der Sicherung nach hinten bis zum spürbaren Einrasten. Nur der weiße Punkt ist sichtbar. Gleichzeitig ist die Ladestellung erreicht.



In dieser sicheren Stellung wird die Waffe geladen und entladen. Unbeabsichtigte Schussauslösung ist unmöglich.

## Optional Sperr-Stellung

Abzug gesichert, Verschluss gegen Öffnen gesichert. Diese Funktionsstellung wird erreicht, indem man mit dem Daumen die Sicherung am Kolbenhals nach hinten dreht bis die graue Sperre einrastet. Die graue Sperre und der weiße Punkt auf der Sicherung sind sichtbar. Die graue Sperre ist bei Dunkelheit auch fühlbar. Der Verschluss kann nicht geöffnet werden. Der eingestochene Rückstecher wird beim Sichern selbsttätig entspannt. Der Rückstecher lässt sich nicht einstechen.



## Sperr-Stellung + Schlagstiftsicherung

Für die „Schlagstiftsicherung“ kann der Kammergriff in der Stellung „Gesperrt“ näher an den Schaft geschwenkt werden und nimmt eine transportgerechte Stellung ein. In dieser Stellung sind der Kammergriff und der Schlagstift gesperrt. Durch Drehen des Sicherungsrades springt der Kammergriff selbsttätig in die Arbeitsposition.



## 6. ABZUG

Standardmäßig wird die **MANNLICHER ULTRA LIGHT** mit Rückstecher geliefert, die **MANNLICHER SCOUT** UND **STEYR ELITE** mit Druckpunktabzug. Es ist möglich, das Gewehr nachträglich auf das jeweils andere Abzugsystem umzurüsten.

### 6.1 Rückstecher

Zum **Einstechen** ist das Zügel gegen den Federdruck nach vorne zu drücken. Durch Antippen des Abzuges springt dieser in die Ausgangslage zurück, wodurch der Schuss ausgelöst wird. Ungestochen ist der Rückstecher als Flintenabzug zu benutzen.

#### **Entstechen:**

Bei gespannter Waffe Sicherung in Sperr-Stellung 3 drehen; es wird automatisch entstochen. Bei ungespannter Waffe Zügel durchziehen.

#### **Einstellmöglichkeiten des Rückstechers:**

Dreht man die Schraube am Zügel mit einem Inbusschlüssel SW 1,5 im Uhrzeigersinn, wird der Abzugswiderstand geringer.

#### **ACHTUNG:**

**Wird die Schraube zu weit gedreht, kann nicht mehr eingestochen werden.**



Dreht man die Schraube im Gegenuhrzeigersinn wird der Abzugswiderstand stärker.

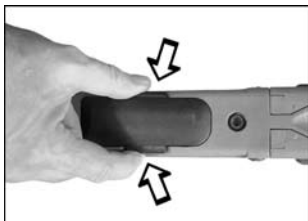
## 6.2 Druckpunktanzug

Bei der Auslieferung ab Werk ist der Druckpunktanzug optimal eingestellt. Vom Schützen dürfen daher keine Veränderungen (Einstellungen) vorgenommen werden.



## 7. MAGAZIN HERAUSNEHMEN

Mit dem Daumen und Zeigefinger einer Hand die beiden Drücker links und rechts am Magazin bis auf Anschlag gegeneinander drücken und gleichzeitig das Magazin herausziehen.



## 8. MAGAZIN FÜLLEN UND EINSETZEN

### Füllen

Patrone auf das Magazin legen und mit dem Daumen hineindrücken.

Sicherung des Gewehres auf Ladestellung schalten.



### Magazin Kapazität:

MANNLICHER ULTRA LIGHT:	4 Patronen
MANNLICHER SCOUT:	5 Patronen (4 Patronen .376 Steyr)
	10 Patronen HC Magazin
	(8 Patronen HC Magazin .376 Steyr)
STEYR ELITE:	5 Patronen
	10 Patronen HC Magazin

## Einsetzen

Das Magazin kann in der Waffe in 2 Positionen arretiert werden:

### Normalposition

Magazin in den Magazinschacht einsetzen und mit dem Handballen bis zum hörbaren Einrasten hineindrücken. Soll das Magazin lautlos eingesetzt werden, müssen die beiden Drücker gegeneinander gedrückt und das Magazin bis zum Einrasten der Drücker eingeschoben werden. Das eingesetzte Magazin schließt bündig mit dem Schaft ab. Beim Repetieren wird eine Patrone zugeführt.



### Sicherheitsposition

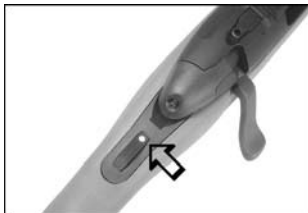
Die beiden Drücker des Magazins gegeneinander drücken und soweit in den Magazinschacht schieben, dass die oberen Nasen der Drücker einrasten. Das Magazin steht gegenüber dem Schaft etwa 5 mm vor. Beim Repetieren wird keine Patrone zugeführt.



## 9. LADEN/ENTLADEN

### Laden:

Sicherungsrad des Gewehres auf **Sicherungs-Stellung**.



DEUTSCH

Durch 70°-Verdrehen des Kammergriffes nach oben wird der Verschluss entriegelt. Den Verschluss am Kammergriff bis auf Anschlag nach hinten ziehen.

Beim Vorschieben des Verschlusses wird eine Patrone aus dem Magazin in das Patronenlager des Laufes eingeführt und



durch Verdrehen des Kammergriffes nach rechts das System verriegelt.

Die Waffe ist jetzt geladen, gespannt und gesichert.

Erst kurz vor dem Schuss entschleunern. Bei einer Waffe mit Rückstecher muss vor dem Schiessen noch eingestochen werden, will man den Abzug als Stecher nützen.



Falls nach dem Schuss ein Nachladen erforderlich ist, den Kammergriff öffnen. Durch Zurückziehen des Verschlusses wird die abgeschossene Patronenhülse ausgezogen und ausgeworfen. Beim Vorschieben der Kammer wird eine neue Patrone in das Patronenlager des Laufes eingeführt. Verschluss durch Verdrehen des Kammergriffes wieder verriegeln. Sicherung auf Stellung gesichert drehen.

Die Waffe ist erneut geladen, gespannt und gesichert. Wird das Gewehr entschleunert, der Schuss unterbleibt jedoch, ist sofort wieder zu sichern.



**Entladen:**

Sicherung in die „Ladestellung“ drehen (nur der weiße Punkt ist sichtbar).



Magazin herausnehmen, oder in der Sicherheitsposition arretieren (Magazin steht etwa 5 mm vor).



Die im Laderaum des Laufes befindliche Patrone wird durch Öffnen des Kammergriffes und Zurückziehen des Verschlusses ausgezogen und ausgeworfen. Vergewissern Sie sich, dass sich keine Patrone mehr im Laderaum befindet.

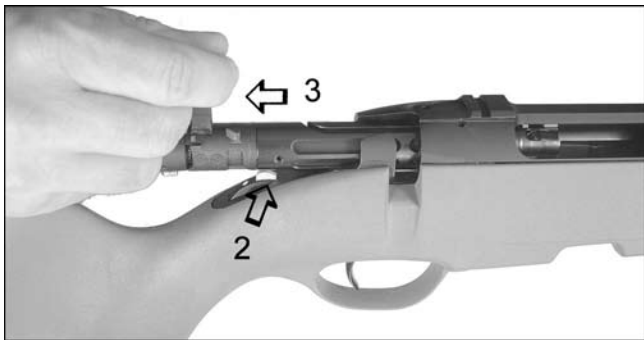
## 10. VERSCHLUSS HERAUSNEHMEN

Es wird empfohlen, zwecks besserer Laufreinigung den Verschluss aus dem Gehäuse zu nehmen.

1. Kammergriff mit der rechten Hand um  $70^\circ$  nach links drehen (entriegeln).

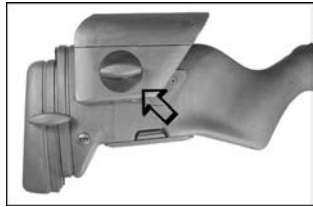


2. Sicherung in die Sperrstellung 3 drehen (Graue Sperrespringt heraus)

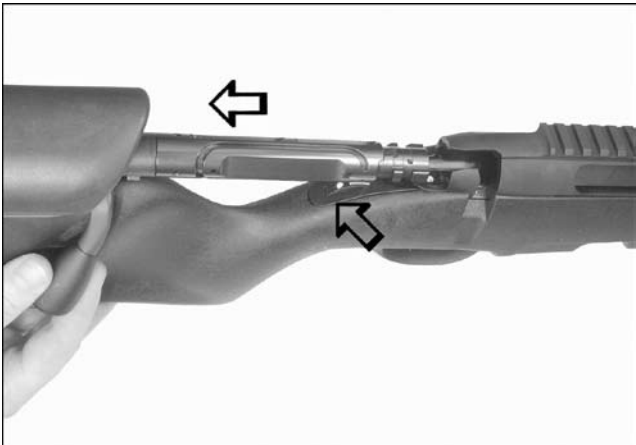


3. Verschluss am Kammergriff aus dem Gehäuse ziehen.

Beim Modell STEYR ELITE muß zuvor die Schaftbacke nach oben gestellt werden.

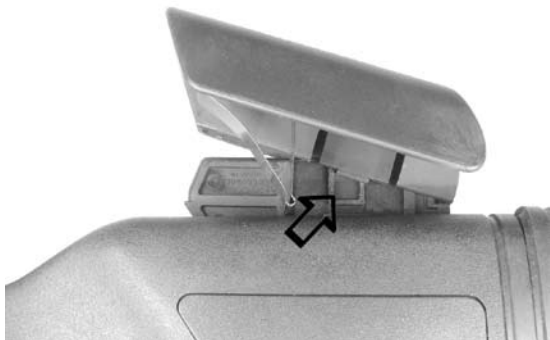


Sicherung in die Sperr-Stellung drehen (Sperre springt heraus), Verschuß aus dem Gehäuse ziehen und Kammergriff nach unten schwenken, dass der hintere Teil des Verschlusses in der Schaftbacke verschwindet.



**Abnehmen der Backe:**

Abnehmen der Backe durch Lösen der Schraub- und Schnappverbindung des Unterteils.



## 11. VERSCHLUSS IN DAS GEHÄUSE EINFÜHREN

Das Magazin wurde herausgenommen oder in der Sicherheitsposition arretiert und die Waffe ist entladen! Beim Wiedereinführen des Verschlusses in das Gehäuse steht die Sicherung in der Sperrstellung 3 (siehe Kapitel 5).

Den Verschluss am Kammergriff halten und in das Gehäuse einschieben. Dabei den Verschluss so verdrehen, dass der Kammergriff in den Schlitz des Gehäuses gleiten kann.

Sicherungsrad in die Stellung 1 oder 2 drehen.

## 12. WAFFE ENTSPANNEN

Die Waffe ist entladen und entsichert. Der Kammergriff ist geöffnet.

### **WARNUNG:**

**Es ist verboten die Waffe zu entspannen, wenn sich eine Patrone im Patronenlager des Laufes befindet!**

Abzugzügel durchziehen und festhalten. Kammergriff nach rechts unten schwenken. Der Signalstift an der Verschlusskappe hinten verschwindet. Dies zeigt an, dass die Waffe entspannt ist.

### 13. ZERLEGEN DER WAFFE

Das vollständige Zerlegen der Waffe durch den Anwender ist weder üblich noch erforderlich. Die beiden Schrauben an der Waffenunterseite verbinden das Waffensystem mit dem Schaft.



Werden diese Schrauben gelöst, müssen sie mit einem Drehmomentschlüssel (7 Nm) festgezogen werden.

#### **ACHTUNG:**

**Wird das System aus der Waffe genommen, so darf die Sechskantschraube an der vorderen Unterseite des Gehäuses nicht gelöst werden. Die Schraube ist ab Werk mit einem Drehmoment 10 Nm festgezogen.**

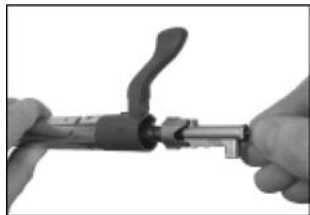
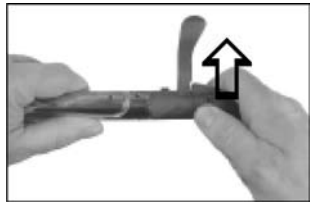


## 14. VERSCHLUSS ZERLEGEN UND ZUSAMMENBAUEN

Normalerweise muss der Verschluss nicht zerlegt werden. Er ist werkseitig mit einer Dauerschmierung versehen. Eine gelegentliche Inspektion in längeren Zeiträumen durch einen Büchsenmacher Ihres MANNLICHER Vertragshändlers reicht in der Regel als Wartungsmaßnahme aus. Vom Fachmann können Sie sich auch den Zerlegungsvorgang und den Zusammenbau zeigen lassen. Abseits der Zivilisation oder beim technisch interessierten Waffenliebhaber kann es dennoch erforderlich oder wünschenswert sein, den Verschluss zu zerlegen, zu reinigen und zu ölen.

### Zerlegungsvorgang:

Verschluss in die linke Hand nehmen. Mit dem Daumen der rechten Hand die Sperrklappe hineindrücken und gleichzeitig die Verschlusskappe im Uhrzeigersinn (Pfeilrichtung = Drehrichtung) bis zum hörbaren Entriegeln drehen. Verschlusskappe abnehmen, Schlagstifeinheit aus der Kammer ziehen.



Bei Bedarf können nun alle Teile ereinigt und geölt werden. Weiteres Zerlegen darf nur vom geschulten Fachpersonal (Büchsenmacher) vorgenommen werden.

### **WARNUNG:**

**Die Verschlusskappe darf beim Zerlegen nie im Gegenuhrzeigersinn verdreht werden. Der Verschluss ließe sich nicht mehr in das Gehäuse einführen.**

### **Verschluss zusammenbauen:**

Verschluss in die linke Hand nehmen. Schlagstifteinheit so in die Kammer einführen, dass die Schlagstiftfahne gegenüber dem Kammergriff steht. Mit der rechten Hand die Verschlusskappe - bei gleichzeitigem Hineindrücken der Sperrklappe mit dem Daumen - bis auf Anschlag auf die Schlagstiftfahne schieben und die Verschlusskappe im Gegenuhrzeigersinn bis zum Einrasten drehen.

Die Verschlusskappe darf aber nur soweit gedreht werden, dass ihr Abdeckteil mit dem Kammergriff korrespondiert.

**Die weitere Zerlegung bleibt dem Büchsenmacher vorbehalten, der auch über die erforderlichen Spezialwerkzeuge und Vorrichtungen verfügt.**



## 15 MECHANISCHE VISIERUNG

Die MANNLICHER SCOUT ist mit einem mechanischen Visier ausgestattet. Für das „Jeff Cooper Paket“ wird ein Scout Zielfernrohr auf dem Gewehr montiert. Um die offene Visierung (Lochvisier und Korn) verwenden zu können muß das Zielfernrohr abgenommen werden.

Das Korn kann durch Verschieben des Schiebers hochgeklappt werden. Wird das Korn nicht benötigt, kann der Schieber mit dem Daumen nach vorne gezogen und mit dem anderen Daumen das Korn umgelegt werden.



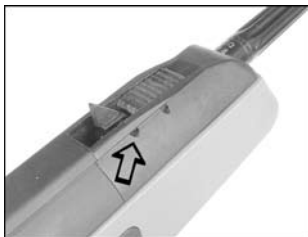
Das Lochvisier (Ghost ring) wird mit dem Fingernagel, einer Patrone Spitze oder ähnlichem hochgeklappt.

Wird das Lochvisier nicht benötigt, kann es mit dem Daumen nach hinten umgelegt werden.



### Seitenverstellung Korn

Die Stellschraube für das Korn an der rechten Waffenseite kann nach links oder rechts verdreht werden:



Nach links = Treffpunktlage wandert nach rechts.  
Nach rechts = Treffpunktlage wandert nach links.

### Höheneinstellung Lochvisier („Ghost ring“)

Die Schraube an der Hinterseite des Lochvisieres kann verdreht werden.

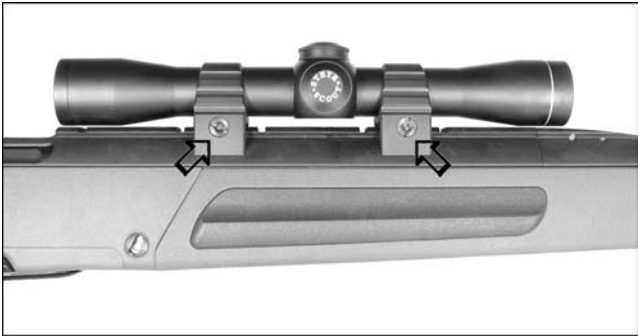


Herausdrehen (Gegenuhrzeigersinn) = Treffpunktlage wandert nach oben.

Hineindrehen (Uhrzeigersinn) = Treffpunktlage wandert nach unten.

## 16. ZIELFERNROHR

Für das „Jeff Cooper Paket“ wird ein Scout Zielfernrohr auf dem Gewehr montiert. Um die offene Visierung (Lochvisier und Korn) verwenden zu können muß das Zielfernrohr abgenommen werden. Dazu sind die beiden Schrauben und Schlitzmutter der Zielfernrohrmontage herauszudrehen.



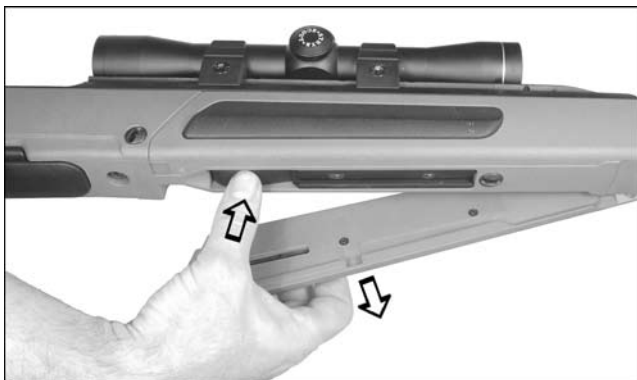
## 17. INTEGRIERTES ZWEIBEIN

### Ausklappen des Zweibeines

Das ungeladene und gesperrte (graue Sperre und weißer Punkt sind sichtbar) Gewehr wird in eine Sicherheitsrichtung gehalten.



Den Drücker auf dem Boden des Schaftes hineindrücken und den Zweibeinschenkel bis zu einem hörbaren Klick nach unten und nach vorne schwenken. Die Zweibeinschenkel sind damit in ihrer ausgeklappten Stellung verriegelt.



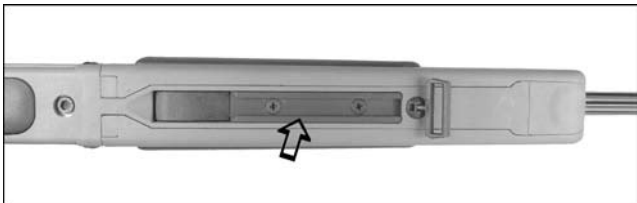
In dieser Position bietet das Zweibein dem Benutzer des Gewehres auf unebenen Terrain entsprechenden Komfort und erlaubt dabei einen Schwenkbereich von insgesamt 30 Grad.

### **Einklappen des Zweibeines**

Das ungeladene und gesicherte Gewehr (graue Sperre und weißer Punkt sind sichtbar) wird in eine Sicherheitsrichtung gehalten. Die Zweibeinschenkel mit geringem Kraftaufwand (ein Klick ist hörbar) an den Schaft schwenken. Ende der Zweibeinschenkel leicht andrücken und im Schaft arretieren (Klick ist hörbar!).

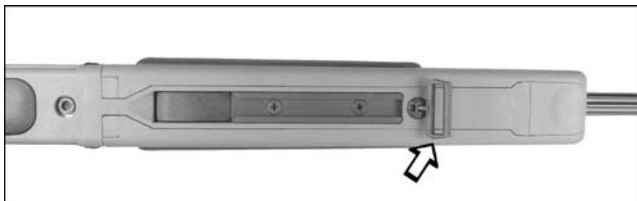
## **18. INTEGRIERTE MONTAGESCHIENE**

An der vorderen Unterseite des Schaftes ist eine Montageschiene befestigt an der verschiedenes Zubehör wie Zweibein, Scheinwerfer, Handstop, Zielgeräte usw. montiert werden kann.



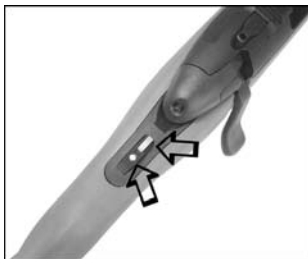
## 19. ABNEHMBARE RIEMENBÜGEL

Die Riemenbügel können durch eindrücken und verdrehen abgenommen werden.



### WARNUNG:

Bevor sie den Schießriemen montieren überzeugen sie sich, dass das Gewehr ungeladen ist und die Sicherung in der Sperr-Stellung (graue Sperre und weißer Punkt sind sichtbar) steht !



## 20. ANSCHLAGLÄNGE EINSTELLEN

Die Schaftkappe kann durch Abhebeln mit einer Schraubendreher demontiert werden. Die Schaftlänge kann durch Zwischenstücke individuell angepasst werden.



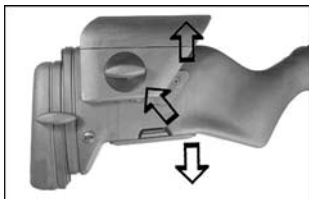
## 21. SCHAFTKAPPE EINSTELLEN

Die Schaftkappe der **STEYR ELITE** kann in der Höhe an den Schützen angepasst werden. Klemmschraube lösen, Schaftkappe in die gewünschte Position schieben, Klemmschraube festschrauben.



## 22. SCHAFTBACKE EINSTELLEN

Die Schaftbacke der **STEYR ELITE** kann in der Höhe an den Schützen angepasst werden. Klemmschraube lösen, Schaftbacke in die gewünschte Position schieben, Klemmschraube festschrauben.



## 23. ZUBEHÖR

Folgendes Zubehör kann nachbestellt werden:

- Magazin
- Kombiabzug mit Rückstecher
- Schaftzwischenstück (Spacer)
- HC-Kit für 10-Schußmagazin (Nicht im Kaliber .223 Rem)
- 10-Schuß- Magazin (Nicht im Kaliber .223 Rem)
- Patronenhalter für 5 Schuss
- Dreipunkt- Lederriemen
- Schaftkappe mit weichem Gummi
- Holzimitateinlagen
- ZF- Halterung Scout für Durchmesser 1“ und 30 mm

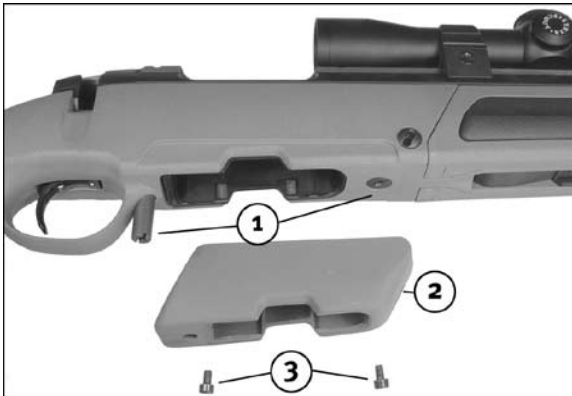


## 24. HC- KIT MONTIEREN

Magazin herausnehmen, Verschuß herausnehmen. Beide Zylinderschrauben mit Innensechskant SW 5 mm abschrauben.



Verbindungsschrauben (1) des HC-Kit einschrauben und mit einem Drehmoment von 9 Nm festziehen. Es wird empfohlen, die Verbindungsschrauben mit Loctite 242 zu sichern.



HC- Adapter (2) auf die Verbindungsschrauben aufstecken und dabei auf den richtigen seitlichen Sitz achten. Zylinderschrauben M5x8 (3) einschrauben und mit einem Drehmoment von 9 Nm festziehen.

## 25. REINIGUNG UND PFLEGE

Das System des **MANNLICHER ULTRA LIGHT**, **MANNLICHER SCOUT** und **STEYR ELITE** arbeitet über lange Zeit wartungsfrei.

Verwenden Sie für die Laufreinigung niemals Stahlbürsten, sondern Seidenwerg oder Watte, die zur Vorreinigung oder zum Einölen hinterher mit einem Spezial-Lauföl oder einem guten Waffenöl zu tränken sind.

Spezialmittel zur Entfernung von Tombakablagerungen sind nach der jeweils beigegebenen Anleitung zu verwenden.

Reinigen Sie den Lauf stets von hinten nach vorne und ziehen Sie niemals das aus der Mündung ausgetretene Seidenwerg zurück, sondern schrauben Sie den Werghalter vom Reinigungsstock ab. Vermeiden Sie jede noch so geringfügige Veränderung an der Laufmündung. Nach dem Reinigen die Laufbohrung leicht einölen.

### **WARNUNG:**

**Bei unsachgemäßer Laufreinigung besteht die Gefahr, dass die zwischen Lauf und Verriegelungsbüchse drehbar eingesetzte Sicherungsbuchse durch Verwendung von zu voluminösen Reinigungsmaterial (Seidenwerg, Watte, Stoff) oder zu große Reinigungsbürsten verdreht wird.**

**Dies hätte zur Folge, dass der Verschuß nach der Reinigung nicht mehr eingeführt und verriegelt werden kann.**

Vor dem nächsten Schießen entfernen Sie das Öl aus dem Lauf durch nochmaliges Durchziehen, da sonst eine Verlagerung des Treffpunktes möglich ist.

Der Kunststoffschaft wird mit milder Seife und Wasser gereinigt.

Es ist angebracht, für die Reinigung andere Öle als für die Konservierung oder Schmierung zu verwenden.

**WARNUNG:**

**Die Verwendung von Waffenpflege- und Reinigungsmittel, sowie von Insektenschutzmittel, in denen Lösungsmittel enthalten sind, kann die Kunststoffteile verändern, oder sogar beschädigen.**

## 26. SERVICE

Ihre Waffe wurde vor der Auslieferung mit größter Sorgfalt geprüft. Sollte an der Waffe ein Teileaustausch oder eine Reparatur erforderlich sein, dürfen diese Arbeiten nur von autorisierten Fachleuten durchgeführt werden. Setzen Sie sich mit einem unserer STEYR MANNLICHER Vertragshändler in Verbindung.

### **ACHTUNG:**

**Es dürfen nur Original-Ersatzteile eingebaut werden!**

## Die STEYR MANNLICHER Schussleistungs-Garantie

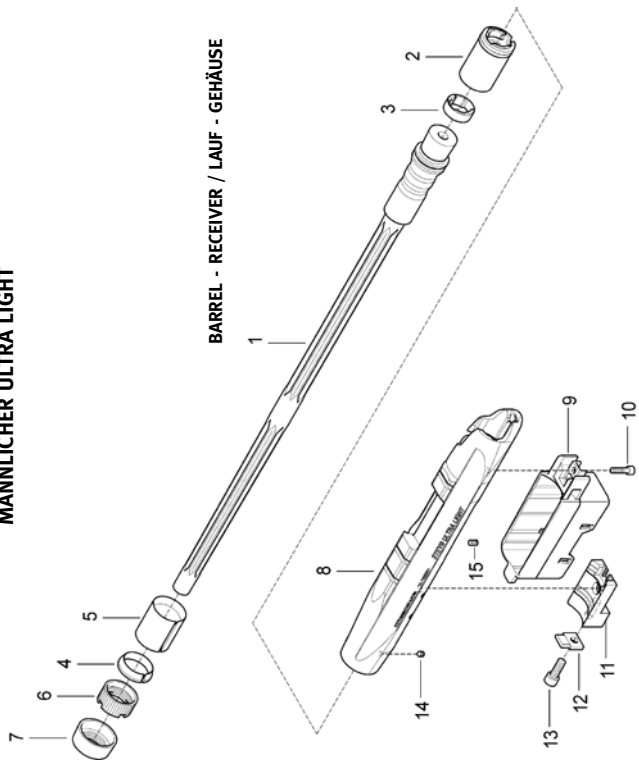
Unsere Läufe werden nach modernsten Erkenntnissen unter Verwendung hochwertiger Laufstähle hergestellt. Unsere Waffen zeichnen sich durch eine hervorragende Schussleistung aus. Die Schusspräzision einer Waffe ist aber noch von vielen anderen Faktoren abhängig. Der mit Abstand wichtigste Faktor dabei ist die Munition. Nicht jeder Lauf schießt jede Munition gleich gut, es können erhebliche Leistungsunterschiede bestehen. Auch Munition gleichen Fabrikates kann von Fertigungslos zu Fertigungslos und von Waffe zu Waffe eine unterschiedliche Schussleistung haben. Bei optimal ausgewählter Munition leisten wir Gewähr für hervorragende Schussleistung unserer Waffen. Beanstandungen der Schussleistung müssen innerhalb von einem Monat nach Kauf schriftlich geltend gemacht werden. Sollte die Beanstandung ungerechtfertigt sein, behalten wir uns vor, die uns aus einer Überprüfung der Schussleistung entstehenden Kosten zu berechnen.

**Wir wünschen Ihnen viel Freude mit Ihrem  
MANNLICHER GEWEHR.**





# MANNLICHER ULTRA LIGHT

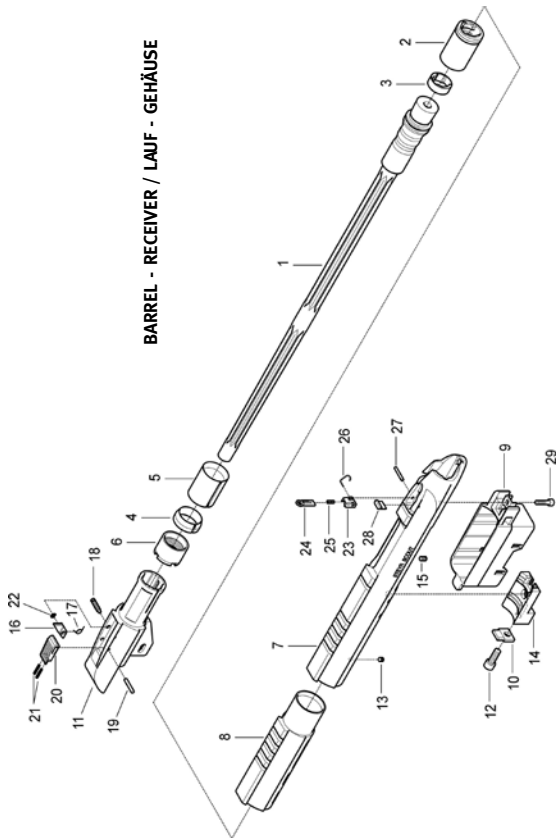




## 27. PARTS LIST / ERSATZTEILLISTE

ITEM POSITION	DENOMINATION BENENNUNG	STANDARD NORM	QUANTITY ANZAHL
<b>BARREL - RECEIVER / LAUF - GEHÄUSE</b>			
1	BARREL SC/ LAUF SC		1 PCS.
2	LOCKING BUSHING UL / VERRIEGELUNGSBÜCHSE UL		1 PCS.
3	SAFETY BUSHING / SICHERHEITSBÜCHSE		1 PCS.
4	INNER RING UL / SPANNELEMENT INNENRING UL		1 PCS.
5	OUTER RING UL / SPANNELEMENT AUSSENRING UL		1 PCS.
6	LOCKING NUT UL / SPANNMUTTER UL		1 PCS.
7	END PIECE / ABSCHLUSSKAPPE		1 PCS.
8	RECEIVER ULTRA LIGHT ASSY. / GEHÄUSE ULTRA LIGHT V.		1 PCS.
9	MAGAZINE WELL UL / MAGAZINFÜHRUNG UL		1 PCS.
10	SOCKET HEAD CAP SCREW / SCHRAUBE		1 PCS.
11	BEDDING BLOCK / ANLAGEBLOCK		1 PCS.
12	RETAINING PLATE / HALTEKRALLE		1 PCS.
13	RETAINING PLATE SCREW / SCHRAUBE		1 PCS.
14	SET SCREW / GEWINDESTIFT		1 PCS.
15	SET SCREW / GEWINDESTIFT		1 PCS.

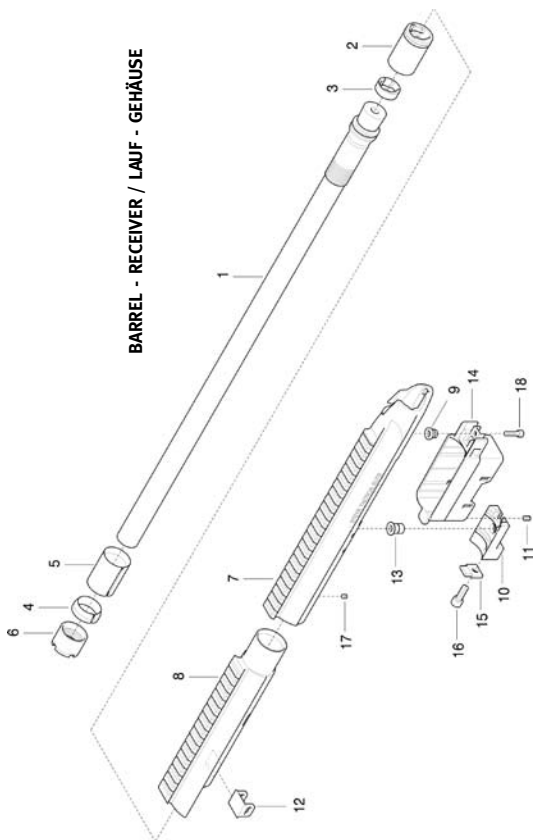
# MANNLICHER SCOUT



## 27. PARTS LIST / ERSATZTEILLISTE

ITEM POSITION	DENOMINATION BENENNUNG	STANDARD NORM	QUANTITY ANZAHL
<b>BARREL - RECEIVER / LAUF - GEHÄUSE</b>			
1	BARREL SC / LAUF SC		1 PCS.
2	BARREL LOCKING BUSHING / VERRRIEGELUNGSBÜCHSE		1 PCS.
3	SAFETY BUSHING / SICHERHEITSBUCHSE		1 PCS.
4	INNER RING / SPANNELEMENT INNENRING		1 PCS.
5	OUTER RING / SPANNELEMENT AUSSENRING		1 PCS.
6	LOCKING NUT / SPANNMUTTER		1 PCS.
7	RECEIVER SC COMPLETE / GEHÄUSE SC VOLLST.		1 PCS.
9	MAGAZINE WELL SCOUT / MAGAZINFÜHRUNG SCOUT		1 PCS.
10	RETAINING PLATE / HALTEKRALLE		1 PCS.
	RETAINING PLATE 376 STEYR / HALTEKRALLE 376 STEYR		1 PCS.
11	BARREL EXTENSION HOUSING / GEHÄUSEABSCHLUSS		1 PCS.
12	RETAINING PLATE SCREW / ZYLINDERSCHRAUBE		1 PCS.
13	HEADLESS SET SCREW / GEWINDWSTIFT		1 PCS.
14	BEDDING BLOCK / ANLAGEBLOCK SCOUT		1 PCS.
15	SET SCREW / GEWINDESTIFT		1 PCS.
16	FRONT SIGHT / KORN		1 PCS.
17	SPRING / BIEGEFEDER		1 PCS.
18	SIGHT ADJUSTMENT SCREW / SPINDEL		1 PCS.
19	PIN / STIFT		1 PCS.
20	SIGHT RELEASE SLIDE / SCHIEBER		1 PCS.
21	SLIDE SPRING / RASTENFEDER		1 PCS.
22	THRUST WASHER / SICHERUNGSSCHEIBE		1 PCS.
23	REAR SIGHT BASE / VISIERTRÄGER		1 PCS.
24	REAR SIGHT / LOCHVISIER		1 PCS.
25	REAR SIGHT SCREW / SPINDEL		1 PCS.
26	SPRING / BÜGELFEDER		1 PCS.
27	PIN / STIFT		1 PCS.
28	COVER / ABDECKUNG		1 PCS.
29	SOCKET HEAD CAP SCREW / ZYLINDERSCHRAUBE		1 PCS.

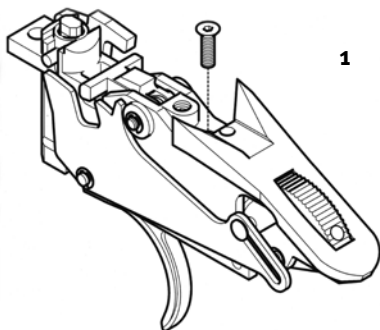
# STEYR ELITE



## 27. PARTS LIST / ERSATZTEILLISTE

ITEM POSITION	DENOMINATION BENENNUNG	STANDARD NORM	QUANTITY ANZAHL
<b>BARREL - RECEIVER / LAUF - GEHÄUSE</b>			
1	BARREL / LAUF		1 PCS.
2	BARREL LOCKING BUSHING / VERRRIEGELUNGSBÜCHSE		1 PCS.
3	SAFETY BUSHING /SICHERHEITSBUCHSE		1 PCS.
4	INNER RING / SPANNELEMENT INNENRING		1 PCS.
5	OUTER RING / SPANNELEMENT AUSSENRING		1 PCS.
6	LOCKING NUT / SPANNMUTTER		1 PCS.
7	RECEIVER SCOUT PIC. COMPL. / GEHÄUSE SCOUT PIC V.		1 PCS.
9	INSERT / GEWINDEBÜCHSE		1 PCS.
10	BEDDING BLOCK / ANLAGEBLOCK SCOUT		1 PCS.
11	SET SCREW / GEWINDESTIFT		1 PCS.
12	BRACKET / LASCHE		1 PCS.
13	BEDDING BLOCK SCREW / GEWINDEBÜCHSE		1 PCS.
14	MAGAZINE WELL SCOUT / MAGAZINFÜHRUNG SCOUT		1 PCS.
15	RETAINING PLATE / HALTEKRALLE		1 PCS.
16	RETAINING PLATE SCREW/ ZYLINDERSCHRAUBE		1 PCS.
17	HEADLESS SET SCREW / GEWINDESTIFT		1 PCS.
18	SOCKET HEAD CAP SCREW / ZYLINDERSCHRAUBE		1 PCS.

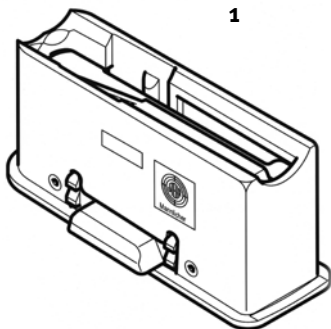
## TRIGGER GROUP / GRUPPE ABZUG



## MAGAZINE GROUP / GRUPPE MAGAZIN

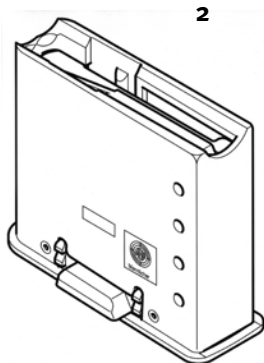
STANDARD

1



HIGH CAPACITY

2



## 27. PARTS LIST / ERSATZTEILLISTE

ITEM POSITION	DENOMINATION BENENNUNG	STANDARD NORM	QUANTITY ANZAHL
------------------	---------------------------	------------------	--------------------

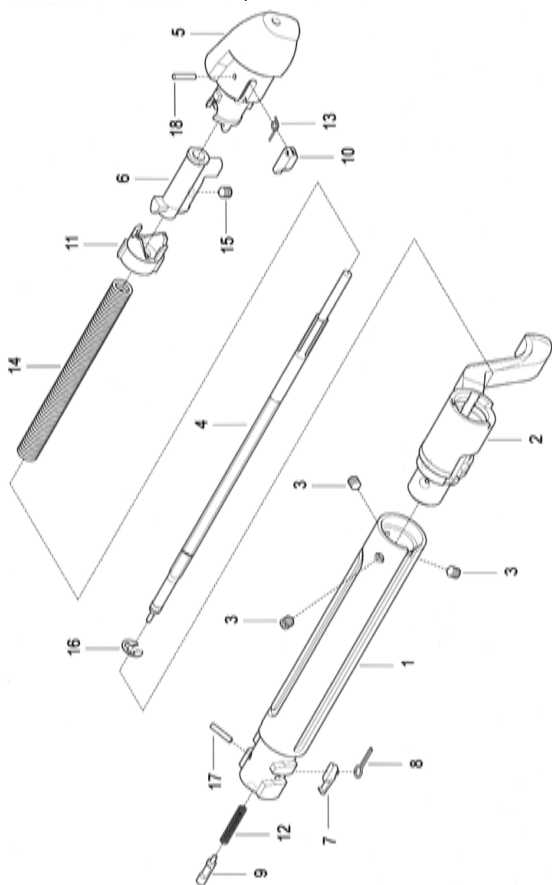
### TRIGGER GROUP / GRUPPE ABZUG

1	DIRECT TRIGGER / DRUCKPUNKTABZUG		1 pcs.
1	SET TRIGGER / RÜCKSTECHER		1 pcs.

### MAGAZINE GROUP / GRUPPE MAGAZIN

1	MAGAZINE STANDARD / MAGAZIN STANDARD		1 pcs.
2	MAGAZINE HC (HIGH CAPACITY) / MAGAZIN HC		1 pcs.

**MANNLICHER ULTRA LIGHT**  
**BOLT GROUP / GRUPPE VERSCHLUSS**

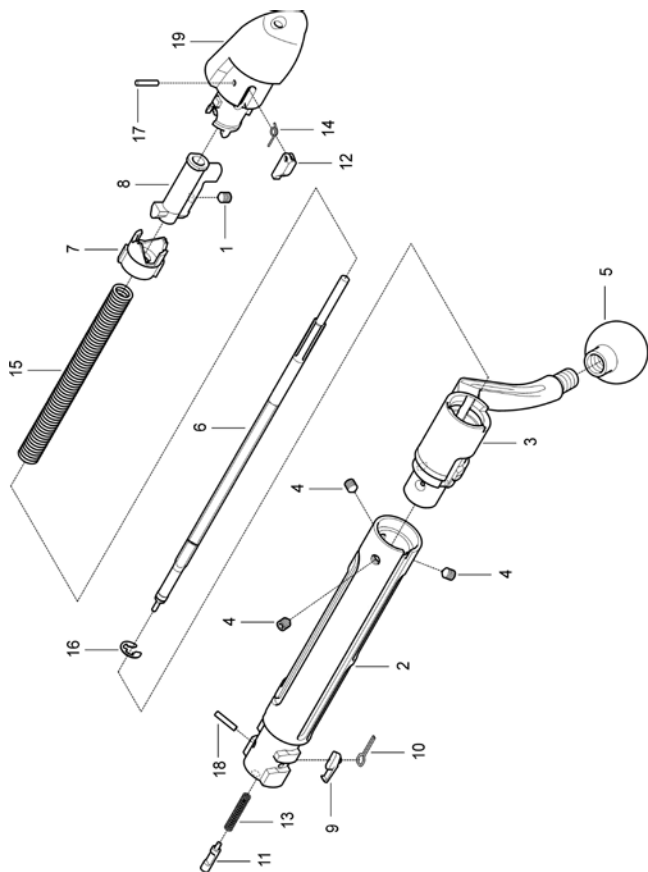




## 27. PARTS LIST / ERSATZTEILLISTE

ITEM POSITION	DENOMINATION BENENNUNG	STANDARD NORM	QUANTITY ANZAHL
<b>BOLT GROUP / GRUPPE VERSCHLUSS</b>			
1	BOLT / KAMMER		1 PCS.
2	BOLT HANDLE EX / KAMMERGRIFF EX		1 PCS.
3	HEADLESS SET SCREW / GEWINDESTIFT		3 PCS.
4	FIRING PIN / SCHLAGSTIFT		1 PCS.
5	BOLT CAP COMPLETE / FÜHRUNGSHÜLSE VOLLST.		1 PCS.
6	FIRING PIN LUG / SCHLAGSTIFTFAHNE		1 PCS.
7	EXTRACTOR / AUSZIEHER		1 PCS.
8	SPRING / FEDER		1 PCS.
9	EJECTOR / AUSSTOSSER		1 PCS.
10	RATCHET LEVER / SPERRKLAPPE		1 PCS.
11	CAM SLEEVE / KURVENSTÜCK		1 PCS.
12	PRESSURE SPRING / DRUCKFEDER		1 PCS.
13	RATCHET LEVER SPRING / FEDER		1 PCS.
14	FIRING PIN SPRING / SCHLAGFEDER		1 PCS.
15	HEADLESS SET SCREW / GEWINDESTIFT		1 PCS.
16	LOCK WASHER / SICHERUNGSSCHEIBE		1 PCS.
17	SPIROL PIN / SPANNSTIFT		1 PCS.
18	SPIROL PIN / SPANNSTIFT		1 PCS.

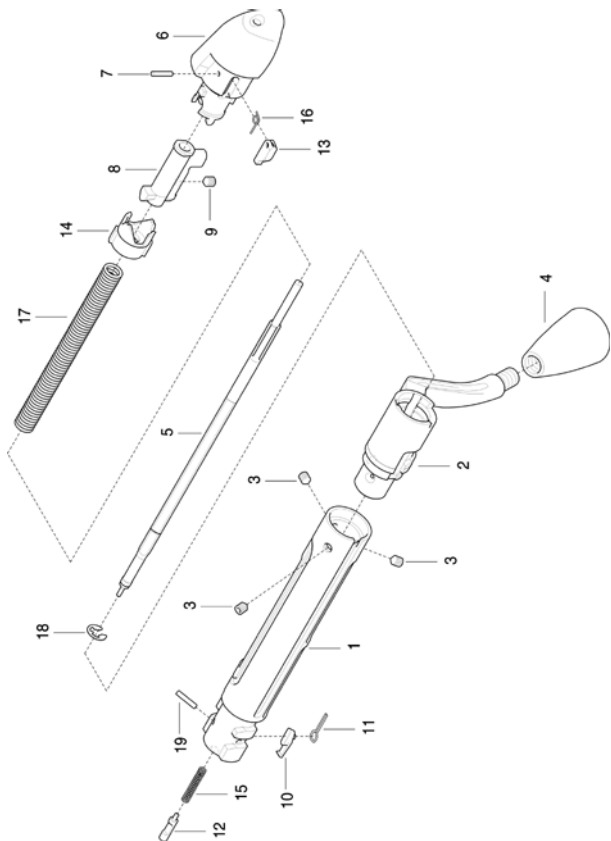
**MANNLICHER SCOUT**  
**BOLT GROUP / GRUPPE VERSCHLUSS**



## 27. PARTS LIST / ERSATZTEILLISTE

ITEM POSITION	DENOMINATION BENENNUNG	STANDARD NORM	QUANTITY ANZAHL
<b>BOLT GROUP / GRUPPE VERSCHLUSS</b>			
1	HEADLESS SET SCREW / GEWINDESTIFT		1 PCS.
2	BOLT BODY SC / KAMMER SC		1 PCS.
3	BOLT HANDLE SCOUT / KAMMERGRIFF SCOUT		1 PCS.
4	HEADLESS SET SCREW / GEWINDESTIFT		3 PCS.
5	HANDLE GRIP SCOUT / HANDGRIFF SCOUT		1 PCS.
6	FIRING PIN SC / SCHLAGSTIFT SC		1 PCS.
7	CAM SLEEVE / KURVENSTÜCK		1 PCS.
8	FIRING PIN LUG / SCHLAGSTIFTFAHNE		1 PCS.
9	EXTRACTOR / AUSZIEHER		1 PCS.
10	SPRING / FEDER		1 PCS.
11	EJECTOR / AUSSTOSSER		1 PCS.
12	RATCHET LEVER / SPERRKLAPPE		1 PCS.
13	PRESSURE SPRING / DRUCKFEDER		1 PCS.
14	RATCHET LEVER SPRING / FEDER		1 PCS.
15	FIRING PIN SPRING / SCHLAGFEDER		1 PCS.
16	LOCK WASHER / SICHERUNGSSCHEIBE		1 PCS.
17	SPIROL PIN / SPANNSTIFT		1 PCS.
18	SPIROL PIN / SPANNSTIFT		1 PCS.
19	BOLT CAP COMPLETE / FÜHRUNGSHÜLSE VOLLST.		1 PCS.

**STEYR ELITE**  
**BOLT GROUP / GRUPPE VERSCHLUSS**

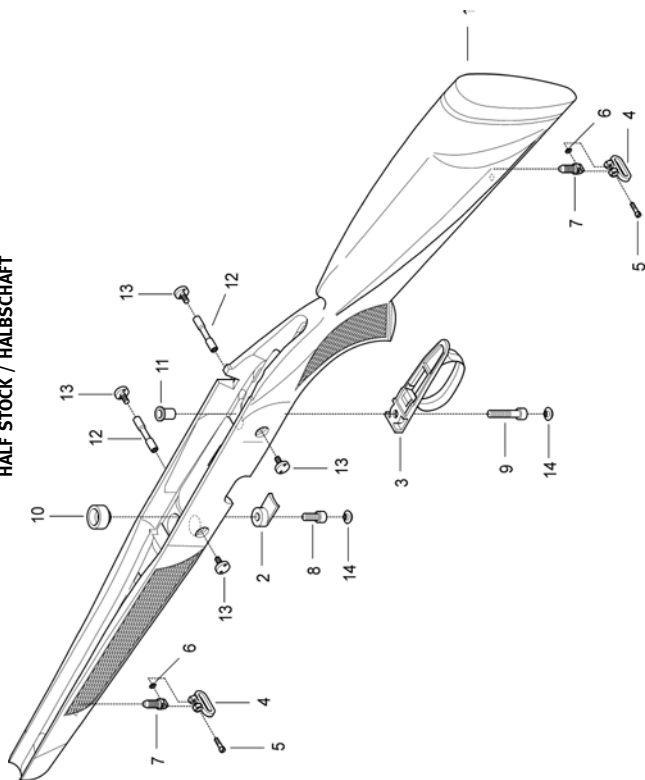


## 27. PARTS LIST / ERSATZTEILLISTE

ITEM POSITION	DENOMINATION BENENNUNG	STANDARD NORM	QUANTITY ANZAHL
<b>BOLT GROUP / GRUPPE VERSCHLUSS</b>			
1	BOLT BODY SC / KAMMER SC		1 PCS.
2	BOLT HANDLE SCOUT / KAMMERGRIFF SCOUT		1 PCS.
3	HEADLESS SET SCREW / GEWINDESTIFT		3 PCS.
4	HANDLE / HANDGRIFF		1 PCS.
5	FIRING PIN SC / SCHLAGSTIFT SC		1 PCS.
6	BOLT CAP COMPLETE / FÜHRUNGSHÜLSE VOLLST.		1 PCS.
7	SPIROL PIN / SPANNSTIFT		1 PCS.
8	FIRING PIN LUG / SCHLAGSTIFTFAHNE		1 PCS.
9	HEADLESS SET SCREW / GEWINDESTIFT		1 PCS.
10	EXTRACTOR / AUSZIEHER		1 PCS.
11	SPRING / FEDER		1 PCS.
12	EJECTOR / AUSSTOSSER		1 PCS.
13	RATCHET LEVER / SPERRKLAPPE		1 PCS.
14	CAM SLEEVE / KURVENSTÜCK		1 PCS.
15	PRESSURE SPRING / DRUCKFEDER		1 PCS.
16	RATCHET LEVER SPRING / FEDER		1 PCS.
17	FIRING PIN SPRING / SCHLAGFEDER		1 PCS.
18	LOCK WASHER / SICHERUNGSSCHEIBE		1 PCS.
19	SPIROL PIN / SPANNSTIFT		1 PCS.

**MANNLICHER ULTRA LIGHT**  
**STOCK GROUP / GRUPPE SCHAFT**

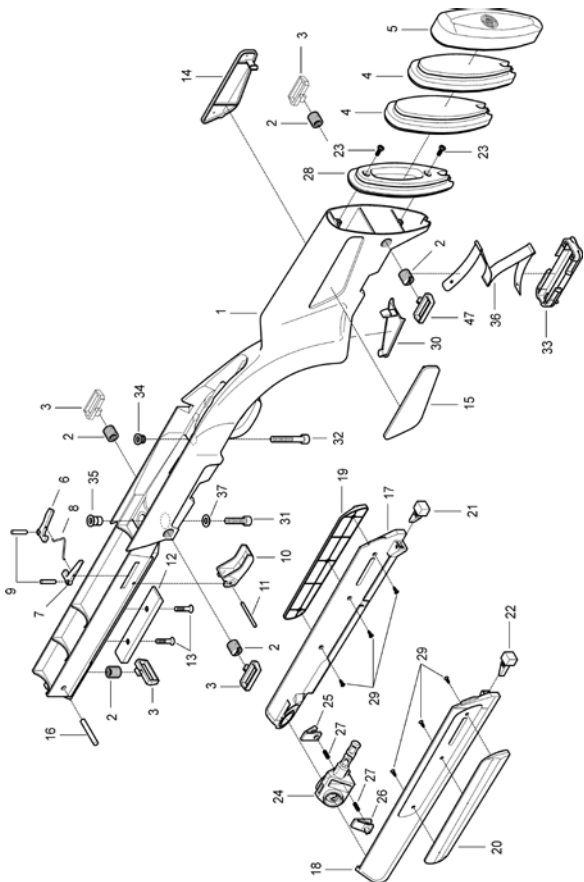
**HALF STOCK / HALBSCHAFT**



## 27. PARTS LIST / ERSATZTEILLISTE

ITEM POSITION	DENOMINATION BENENNUNG	STANDARD NORM	QUANTITY ANZAHL
<b>BOLT GROUP / GRUPPE VERSCHLUSS</b>			
1	HALF STOCK ULTRA LIGHT /HALBSCHAFT ULTRA LIGHT		1 PCS.
2	SCREW SUPPORT EXP. / SCHRAUBENAUFLAGE EXP.		1 PCS.
3	TRIGGER GUARD EXP. / ABZUGBÜGEL EXP.		1 PCS.
4	SLING SWIVEL COMPLETE / RIEMENBÜGEL VOLLST.		2 PCS.
8	SYSTEM SCREW FRONT / ZYLINDERSCHRAUBE		1 PCS.
9	SYSTEM SCREW REAR / ZYLINDERSCHRAUBE		1 PCS.
10	INSERT FRONT / DISTANZHÜLSE VORNE		1 PCS.
11	INSERT REAR / DISTANZHÜLSE		1 PCS.
12	REINFORCEMENT BOLT / VERSTÄRKUNGSROHR		2 PCS.
13	REINFORCEMENT SCREW / VERSTÄRKUNGSSCHRAUBE		4 PCS.
14	COVER / ABDECKKAPPE		2 PCS.

**MANNLICHER SCOUT**  
**STOCK GROUP / GRUPPE SCHAFT**

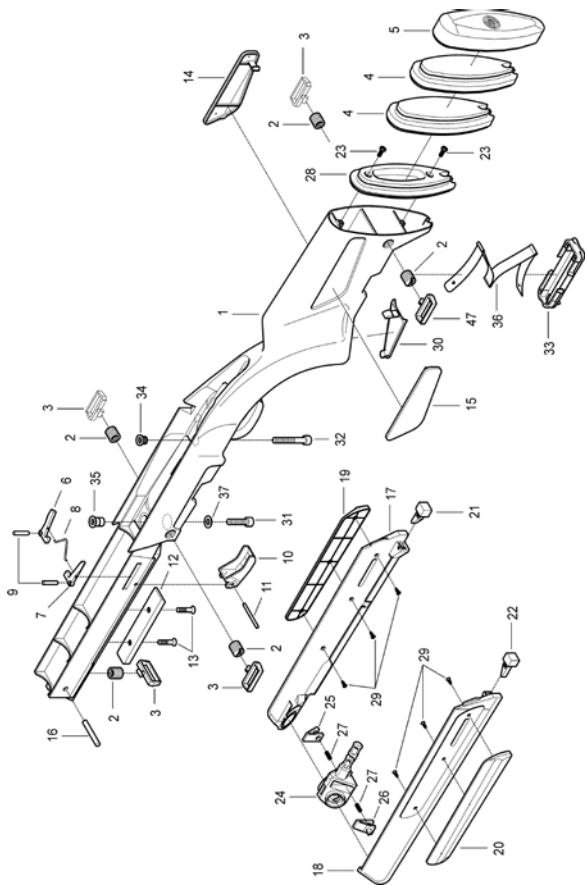




## 27. PARTS LIST / ERSATZTEILLISTE

ITEM POSITION	DENOMINATION BENENNUNG	STANDARD NORM	QUANTITY ANZAHL
<b>STOCK GROUP / GRUPPE SCHAFT</b>			
1	Stock scout complete / Schaft scout montiert		1 PCS.
2	Swivel holder Millett / Riemenbügelhalter Millett		5 PCS.
3	Sling swivel Millett / Riemenbügel Millett		2 PCS.
4	Spacer / Distanzelement		2 PCS.
5	Butt plate / Schaftkappe		1 PCS.
6	Right lever retainer / Halteklinke rechts		1 PCS.
7	Left lever retainer / Halteklinke links		1 PCS.
8	Spring / Biegefeder		1 PCS.
9	Pin / Stift		2 PCS.
10	Lever / Hebel		1 PCS.
11	Pin / Stift		1 PCS.
12	Rail / Schiene		1 PCS.
13	Rail screw / Schraube		2 PCS.
14	Right stock insert, black / Zierplatte rechts, schwarz		1 PCS.
15	Left stock insert, black / Zierplatte links, schwarz		1 PCS.
16	Pin / Stift		1 PCS.
17	Right bipod body Zweibeinschenkel rechts vollst.		1 PCS.
18	Left bipod body Zweibeinschenkel links vollst.		1 PCS.
19	Right grip rail / Griffleiste rechts		1 PCS.
20	Left grip rail / Griffleiste links		1 PCS.
21	Right bipod base / Eckenschoner rechts		1 PCS.
22	Left bipod base / Eckenschoner links		1 PCS.
23	Screw / Schraube		2 PCS.
24	Bipod swivel body / Träger		1 PCS.
	Bipod swivel body, black/ Träger, schwarz		1 PCS.
25	Right spring clip / Rastfeder rechts		1 PCS.
26	Left spring clip / Rastfeder links		1 PCS.

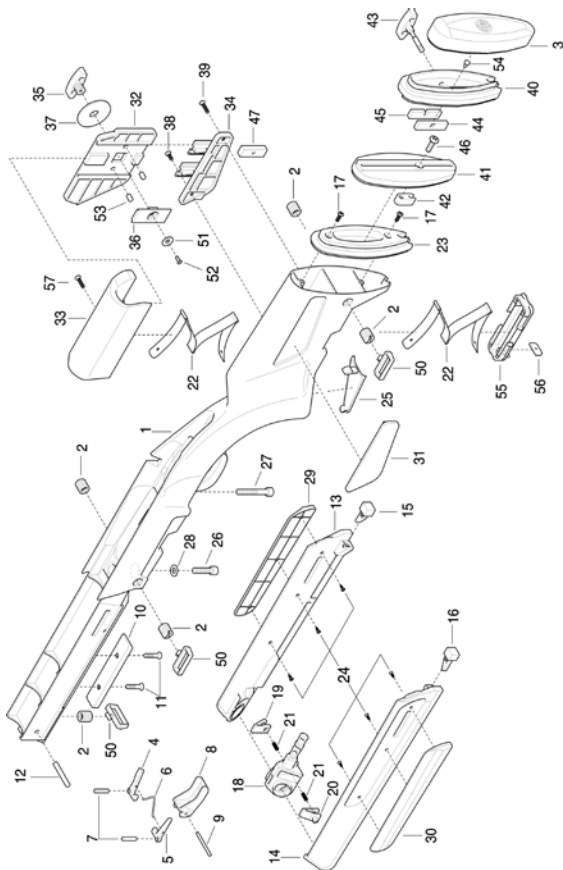
**MANNLICHER SCOUT**  
**STOCK GROUP / GRUPPE SCHAFT**



## 27. PARTS LIST / ERSATZTEILLISTE

ITEM POSITION	DENOMINATION BENENNUNG	STANDARD NORM	QUANTITY ANZAHL
<b>STOCK GROUP / GRUPPE SCHAFT</b>			
27	Spring / Feder		2 PCS.
28	Butt stock cover / Deckel Schaftabschluss		1 PCS.
29	Screw / Schraube		6 PCS.
30	Accessory well cover / Verschlussdeckel Griff		1 PCS.
31	Front action screw / Zylinderschraube		1 PCS.
32	Rear action screw / Zylinderschraube		1 PCS.
33	Pressure plate assy./ Druckplatte vollst.		1 PCS.
35	Bedding block screw / Gewindebüchse		1 PCS.
36	Pressure plate spring / Zubringerfeder		1 PCS.
37	Disc / Scheibe		1 PCS.

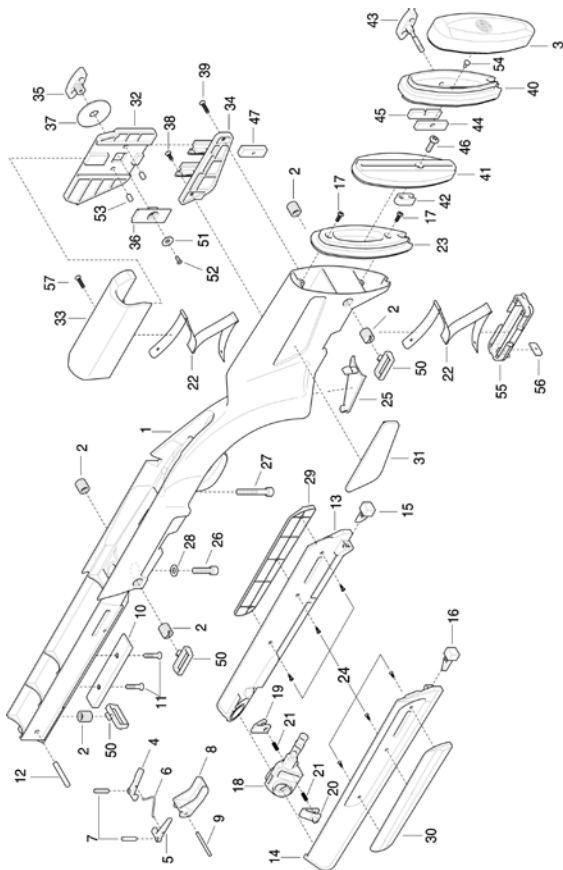
STEYR ELITE  
STOCK GROUP / GRUPPE SCHAFT



## 27. PARTS LIST / ERSATZTEILLISTE

ITEM POSITION	DENOMINATION BENENNUNG	STANDARD NORM	QUANTITY ANZAHL
<b>STOCK GROUP / GRUPPE SCHAFT</b>			
1	STOCK SCOUT BLACK / SCHAFT SCOUT SCHWARZ		1 PCS.
2	SWIVEL HOLDER MILLETT / RIEMENBÜGELHALTER MILLETT		5 PCS.
3	BUTT PLATE / SCHAFTKAPPE		1 PCS.
4	RIGHT LEVER RETAINER / HALTEKLINKE RECHTS		1 PCS.
5	LEFT LEVER RETAINER / HALTEKLINKE LINKS		1 PCS.
6	SPRING / BIEGEFEDER		1 PCS.
7	PIN / STIFT		2 PCS.
8	LEVER /HEBEL		1 PCS.
9	PIN / STIFT		1 PCS.
10	RAIL / SCHIENE		1 PCS.
11	RAIL SCREW / SCHRAUBE		2 PCS.
12	PIN / STIFT		1 PCS.
13	RIGHT BIPOD BODY / ZWEIBEINSCHENKEL RECHTS VOLLST.		1 PCS.
14	LEFT BIPOD BODY / ZWEIBEINSCHENKEL LINKS VOLLST.		1 PCS.
15	RIGHT BIPOD BASE BLACK /ECKENSCHONER RECHTS, SCHW.		1 PCS.
16	LEFT BIPOD BASE BLACK /ECKENSCHONER LINKS, SCHW.		1 PCS.
17	SCREW / SCHRAUBE		2 PCS.
18	BIPOD SWIVEL BODY BLACK/ TRÄGER, SCHWARZ		1 PCS.
19	RIGHT SPRING CLIP / RASTFEDER RECHTS		1 PCS.
20	LEFT SPRING CLIP / RASTFEDER LINKS		1 PCS.
21	SPRING / FEDER		2 PCS.
22	PRESSURE PLATE SPRING / ZUBRINGERFEDER		2 PCS.
23	BUTT STOCK COVER / DECKEL SCHAFTABSCHLUSS		1 PCS.
24	SCREW / SCHRAUBE		6 PCS.
25	ACCESSORY WELL COVER / VERSCHLUSSDECKEL GRIFF		1 PCS.
26	FRONT ACTION SCREW / ZYLINDERSCHRAUBE		1 PCS.
27	REAR ACTION SCREW / ZYLINDERSCHRAUBE		1 PCS.

STEYR ELITE  
STOCK GROUP / GRUPPE SCHAFT



## 27. PARTS LIST / ERSATZTEILLISTE

ITEM POSITION	DENOMINATION BENENNUNG	STANDARD NORM	QUANTITY ANZAHL
<b>STOCK GROUP / GRUPPE SCHAFT</b>			
28	DISC / SCHEIBE		1 PCS.
29	RIGHT GRIP RAIL / GRIFFLEISTE RECHTS		1 PCS.
30	LEFT GRIP RAIL / GRIFFLEISTE LINKS		1 PCS.
31	LEFT STOCK INSERT, BLACK / ZIERPLATTE LINKS, SCHW.		1 PCS.
32	BASE PLATE ASSY. / TRÄGERPLATTE VOLLST.		1 PCS.
33	CHEEKPIECE / BACKE		1 PCS.
34	INSERT / SCHAFT-EINSATZ		1 PCS.
35	CLAMPING LEVER ASSY. / FIXIERSCHRAUBE VOLLST.		1 PCS.
36	THRUST PIECE / KONTERPLATTE NEU		1 PCS.
37	WASHER / SCHEIBE		1 PCS.
38	SCREW / SCHRAUBE		1 PCS.
39	SCREW / SCHRAUBE		1 PCS.
40	JOINING PIECE ASSY./ ANSCHLUSSPLATTE VOLLST.		1 PCS.
41	BASE PLATE / GRUNDPLATTE		1 PCS.
42	HOOK / HAKEN		1 PCS.
43	CLAMPING LEVER ASSY. / KLEMMSCHRAUBE VOLLST.		1 PCS.
44	CLAMPING PLATE LEFT / KLEMMPLATTE LINKS		1 PCS.
45	CLAMPING PLATE RIGHT / KLEMMPLATTE RECHTS		1 PCS.
46	SCREW / SCHRAUBE		1 PCS.
47	DISTANCE PLATE / ERWEITERUNG		1 PCS.
50	SLING SWIVEL MILLETT / RIEMENBÜGEL MILLETT		2 PCS.
51	WASHER / SICHERUNGSSCHEIBE		1 PCS.
52	COUNTERSUNK HEAD SCREW / SCHRAUBE		1 PCS.
55	PRESSURE PLATE ASSY./ DRUCKPLATTE VOLLST.		1 PCS.
57	COUNTERSUNK HEAD SCREW / SENKKOPFSCHRAUBE		1 PCS.

